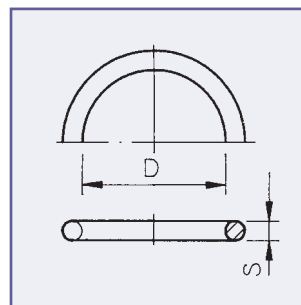
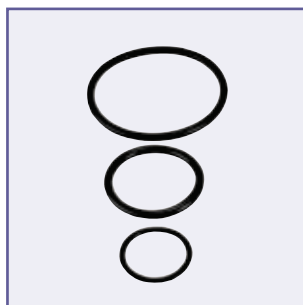


O-Ring for Flange adaptor

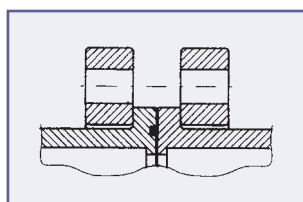
O-Ring voor kraagbus
 O-Ring für Bundbuchse
 Joint Torique pour collet
 O-Ring per collare
 Junta torica para portabrida



EPDM

PVC-u metric

Art.code	Dia	D	S	Quantity
8.06.200	200	215.30	7.00	10
8.06.225	225	240.70	7.00	10
8.06.250	250	266.00	7.00	10
8.06.280	280	295.00	10.00	10
8.06.315	315	330.00	10.00	10



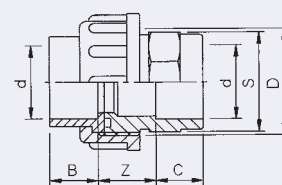
Sealing with O-ring
 Verbindung mit O-ring
 Dichtung mit O-Ring
 Joint avec joint torique
 Tenuta con O-ring
 Sellado con junta torica

Adaptor union

Spuitsgietskoppeling
 Verschraubung
 Raccord union
 Bocchettone
 Enlace de unión



TYPE A



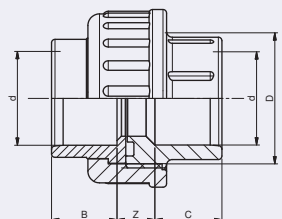
PVC



EPDM



TYPE B



PVC



EPDM

Art.code	d	Z	B	C	D	S	PN	Type	Quantity
3.60.010	10	22	12	12	5/8"	23	16	A	200
3.60.012	12	22	12	12	5/8"	23	16	A	200
3.60.016	16	23	14	14	3/4"	25	16	A	200
3.60.020	20	25	16	16	1"	30	16	A	100
3.60.025	25	23	19	19	1 1/4"	36	16	A	60
3.60.032	32	24	22	22	1 1/2"	44	16	A	150
3.60.040	40	23	26	26	2"	54	16	A	100
3.60.050	50	23	31	31	2 1/4"	64	16	A	60
3.60.063	63	20	38	38	2 3/4"	80	16	A	45
3.60.075	75	28	44	44	ZGTD	94	10	A	25
3.60.090	90	34	51	51	ZGTD	114	10	A	15
3.60.110	110	36	61	61	ZGTD	138	10	A	10
3.60.019	20	14	16	16	1"	-	16	B	100
3.60.024	25	14	19	19	1 1/4"	-	16	B	60
3.60.031	32	14	22	22	1 1/2"	-	16	B	150
3.60.039	40	16	26	26	2"	-	16	B	100
3.60.049	50	18	31	31	2 1/4"	-	16	B	60
3.60.062	63	22	38	38	2 3/4"	-	16	B	45