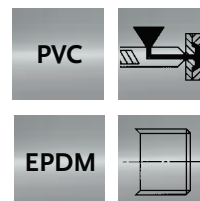
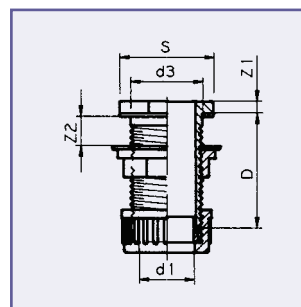


Table duct with clamping nut

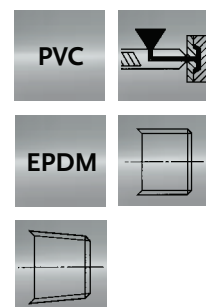
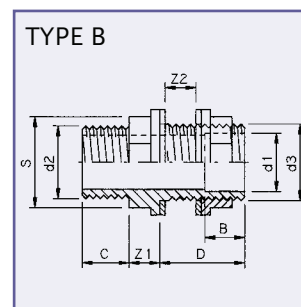
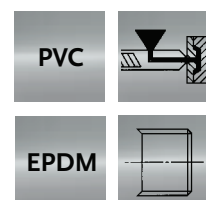
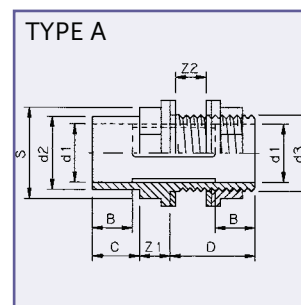
Doorvoer met klemring
 Durchführung mit Klemmutter
 Traversée de paroi avec ecrou de calage
 Passagio per serbatoio con dado
 Pasamuro con anillo de presión



Art.code	d1	d3	Z1	Z2	D	S	Quantity
5.16.022	20	3/4" (M)	8	0-25	56	32	100
5.16.027	25	1" (M)	10	0-25	60	40	100
5.16.032	32	1 1/4" (M)	7	0-25	66	55	100
5.16.040	40	1 3/4" (M)	7	0-25	78	74	80
5.16.054	50	2" (M)	9	0-30	84	78	45
5.16.064	63	2 1/2" (M)	9	0-30	90	100	30

Tank connector

Tankdoorvoer
 Behälteranschluss
 Traversée de pario
 Passagio
 Pasamuro



Art.code	d1	d2	d3	Z1	Z2	B	C	D	S	Type	Quantity
5.16.020	20	25	3/4" (M)	13	0-23	16	19	42	32	A	50
5.16.021	20	3/4" (M)	3/4" (M)	13	0-23	16	17	42	32	B	50
5.16.025	25	32	1" (M)	15	0-23	19	22	45	40	A	50
5.16.026	25	1" (M)	1" (M)	15	0-23	19	21	45	40	B	50
5.16.034	32	40	1 1/4" (M)	17	0-26	22	26	49	50	A	50
5.16.035	32	1 1/4" (M)	1 1/4" (M)	17	0-26	22	23	49	50	B	50
5.16.041	40	50	1 3/4" (M)	19	0-21	26	31	48	60	A	50
5.16.042	40	1 1/2" (M)	1 3/4" (M)	19	0-21	26	23	48	60	B	50
5.16.048	50	63	2" (M)	21	0-21	31	38	52	69	A	45
5.16.049	50	2" (M)	2" (M)	21	0-21	31	27	52	69	B	45
5.16.050	50	63	2 1/4" (M)	21	0-21	31	38	52	76	A	45
5.16.051	50	2" (M)	2 1/4" (M)	21	0-21	31	27	52	76	B	45
5.16.065	63	75	2 1/2" (M)	23	0-23	38	44	53	85	A	24
5.16.066	63	2 1/2" (M)	2 1/2" (M)	23	0-23	38	31	53	85	B	24
5.16.075	75	90	3" (M)	26	0-20	44	51	56	100	A	21
5.16.076	75	3" (M)	3" (M)	26	0-20	44	34	56	100	B	21
5.16.090	90	110	M113 (M)	32	0-20	51	61	62	126	A	10
5.16.091	90	4" (M)	M113 (M)	32	0-20	51	40	62	126	B	10
5.16.110	110	125	M133 (M)	36	0-22	61	69	66	147	A	10