

PE coupling

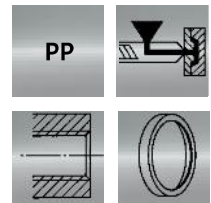
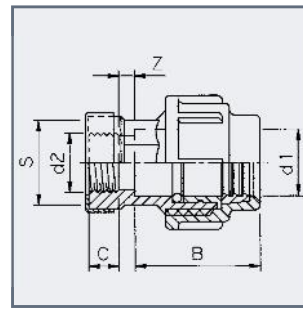
PE koppeling

PE Kupplung

Union PE

PE bocchettone

Enlace en PE



Art.code	d1	d2	Z	B	C	S	PN	Quantity
7.35.016*	16	3/8" (F)	3	42	11	24	16	200
7.35.017*	16	1/2" (F)	3	42	12	24	16	200
7.35.020*	20	3/8" (F)	3	47	12	27	16	200
7.35.021*	20	1/2" (F)	3	47	16	27	16	200
7.35.022*	20	3/4" (F)	7	47	17	27	16	200
7.35.025*	25	1/2" (F)	3	51	16	33	16	200
7.35.026*	25	3/4" (F)	3	51	17	33	16	200
7.35.027*	25	1" (F)	7	51	21	33	16	175
7.35.031*	32	1/2" (F)	4	57	16	42	16	175
7.35.032*	32	3/4" (F)	4	57	17	42	16	175
7.35.033*	32	1" (F)	4	57	21	42	16	175
7.35.034*	32	1 1/4" (F)	9	57	23	42	16	100
7.35.040*	40	1" (F)	4	61	21	51	16	75
7.35.041*	40	1 1/4" (F)	4	61	23	51	16	75
7.35.042*	40	1 1/2" (F)	9	61	23	51	16	100
7.34.050	50	1 1/2" (F)	12	98	26	-	10	24
7.34.051	50	2" (F)	23	98	27	-	10	24
7.34.063	63	2" (F)	8	115	31	-	10	18
7.34.074	75	2" (F)	10	124	26	-	10	13
7.34.075	75	2 1/2" (F)	10	124	34	-	10	13
7.34.090	90	2" (F)	20	180	30	-	10	5
7.34.091	90	3" (F)	20	180	37	-	10	5
7.34.109	110	3" (F)	32	220	30	-	10	2
7.34.110	110	4" (F)	16	200	48	-	10	2

* = kiwa norm PN 16