

1.99 Tube-support

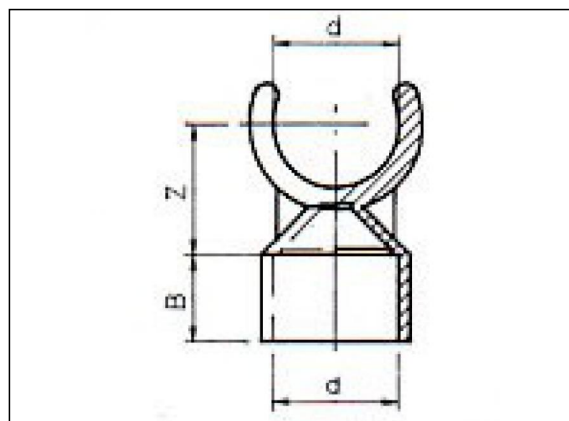
Product information

Material

- PVC-U = Unplasticised Polyvinylchloride

Manufacture

- Injection moulded



Available items

ART.CODE	d	B	Z	Verp
1.99.032	32	22	32	500

Van de Lande BV

Lissenveld 1 \ 4941 VK Raamsdonksveer \ The Netherlands \ t +31 (0)162 51 60 00 \ f +31 (0)162 52 14 17 \ sales@vandelande.com
Traderegister Tilburg: 18070844 \ IBAN: NL13 RABO 0143 0035 26 \ BIC: RABONL2U \ VAT: NL 8123.91.755.B01