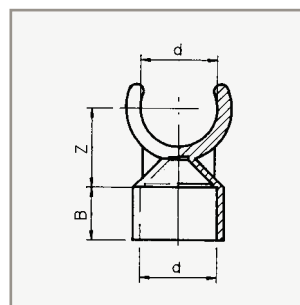


## Tube-support

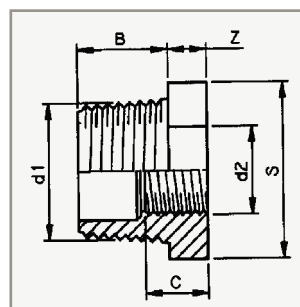
Regenleidingsteun  
Rohrklemme  
Support  
Femna tubo  
Soporte para tubo



Art.code	d	B	Z	Quantity
1.99.032	32	22	32	500

## Connection for irrigation hose

Gietarmpijpe  
Berieselungsschlauchanschluss  
Raccord gaine d'arrosage  
Raccordo per tubo inaffiante  
Boquilla para manguera

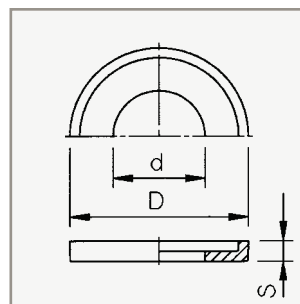


Art.code	d1	D	Z	B	C	Quantity
1.98.032	32	27	37	45	120	250
1.98.040	40	34	37	45	120	175
1.98.050	50	45	32	45	120	100
1.98.063	63	58	32	64	135	50
1.98.432	ring/ring/ring/joint/anello/anillo for 1.98.032					250
1.98.440	ring/ring/ring/joint/anello/anillo for 1.98.040					175
1.98.450	ring/ring/ring/joint/anello/anillo for 1.98.050					100
1.98.463	ring/ring/ring/joint/anello/anillo for 1.98.063					50

## Throttle plate

for irrigation hose connection 1.98

Smoorplaatje voor gietdarmpijpe 1.98  
Drosseln Platte für berieselungsschlauchanschluss 1.98  
Lamelle d'étouffage pour raccord gaine d'arrosage 1.98  
Lamina di asfissiare per raccordo per tubo inaffiante 1.98  
Lamina de ahogar para boquilla para manguera 1.98



Art.code	D	d	S	Quantity
1.97.001	27	0	4	500
1.97.002	27	10	4	500
1.97.003	27	10.5	4	500
1.97.004	27	11	4	500
1.97.005	27	11.5	4	500
1.97.006	27	12	4	500
1.97.007	27	12.5	4	500
1.97.008	27	13	4	500
1.97.009	27	13.5	4	500
1.97.010	27	14	4	500
1.97.011	27	14.5	4	500
1.97.012	27	15	4	500
1.97.013	27	15.5	4	500
1.97.014	27	16	4	500
1.97.015	27	16.5	4	500

Art.code	D	d	S	Quantity
1.97.016	27	17	4	500
1.97.017	27	17.5	4	500
1.97.018	27	18	4	500
1.97.019	27	20	4	500
1.97.020	27	22	4	500
1.97.030	34	0	4	500
1.97.031	34	11	4	500
1.97.032	34	11.5	4	500
1.97.033	34	12	4	500
1.97.034	34	12.5	4	500
1.97.035	34	13	4	500
1.97.036	34	13.5	4	500
1.97.037	34	14	4	500
1.97.038	34	14.5	4	500
1.97.039	34	15	4	500
1.97.040	34	15.5	4	500
1.97.041	34	16	4	500
1.97.042	34	16.5	4	500
1.97.043	34	17	4	500
1.97.044	34	17.5	4	500
1.97.045	34	18	4	500
1.97.046	34	19	4	500
1.97.047	34	20	4	500
1.97.048	34	22	4	500
1.97.049	34	24	4	500
1.97.050	34	26	4	500
1.97.051	34	28	4	500
1.97.052	34	30	4	500
1.97.060	45	0	4	500
1.97.061	45	16	4	500
1.97.062	45	17	4	500
1.97.063	45	18	4	500
1.97.064	45	19	4	500
1.97.065	45	20	4	500
1.97.066	45	21	4	500
1.97.067	45	22	4	500
1.97.068	45	23	4	500
1.97.069	45	24	4	500
1.97.070	45	25	4	500
1.97.071	45	26	4	500
1.97.072	45	27	4	500
1.97.073	45	28	4	500
1.97.074	45	29	4	500
1.97.075	45	30	4	500
1.97.076	45	31	4	500
1.97.077	45	32	4	500
1.97.078	45	34	4	500
1.97.079	45	36	4	500
1.97.080	45	38	4	500
1.97.081	45	40	4	500

Irrigation