

5118 Endcap long SDR11

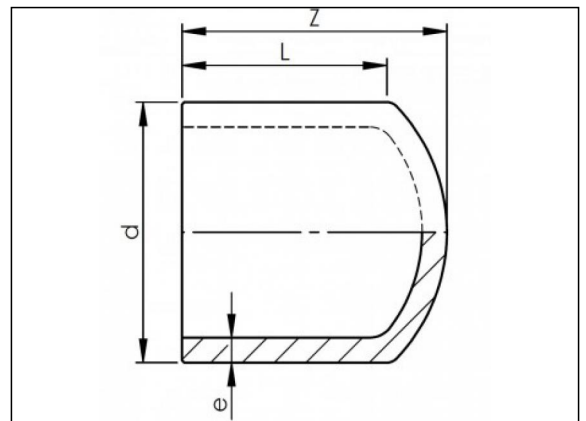
Product information

Material

- PE100

Manufacture

- Injection moulded



Available items

ART.CODE	d	L	Z	e	Verp
5118102000	20	44	50	2	250
5118102500	25	44	51	2.3	150
5118103200	32	47	54	3	150
5118104000	40	52	60	3.7	100
5118105000	50	58	68	4.6	55
5118106300	63	66	79	5.8	100
5118107500	75	72	88	6.8	76
5118109000	90	82	102	8.2	48
5118111000	110	87	112	10	24

Van de Lande BV

Lissenveld 1 \ 4941 VK Raamsdonksveer \ The Netherlands \ t +31 (0)162 51 60 00 \ f +31 (0)162 52 14 17 \ sales@vandelande.com
 Traderegister Tilburg: 18070844 \ IBAN: NL13 RABO 0143 0035 26 \ BIC: RABONL2U \ VAT: NL 8123.91.755.B01

ART.CODE	d	L	Z	e	Verp
5118112500	125	92	122	11.4	18
5118114000	140	98	129	12.7	18
5118116000	160	107	143	14.6	12
5118118000	180	115	155	16.4	6
5118120000	200	123	169	18.2	4
5118122500	225	133	183	20.5	2
5118125000	250	142	200	22.7	2
5118128000	280	152	215	25.4	1
5118131500	315	165	237	28.6	1

Van de Lande BV

Lissenveld 1 \ 4941 VK Raamsdonksveer \ The Netherlands \ t +31 (0)162 51 60 00 \ f +31 (0)162 52 14 17 \ sales@vandelande.com
Traderegister Tilburg: 18070844 \ IBAN: NL13 RABO 0143 0035 26 \ BIC: RABONL2U \ VAT: NL 8123.91.755.B01

All our transactions are subject to the Van de Lande General Terms of Sale. A copy of these can be provided immediately upon your request.