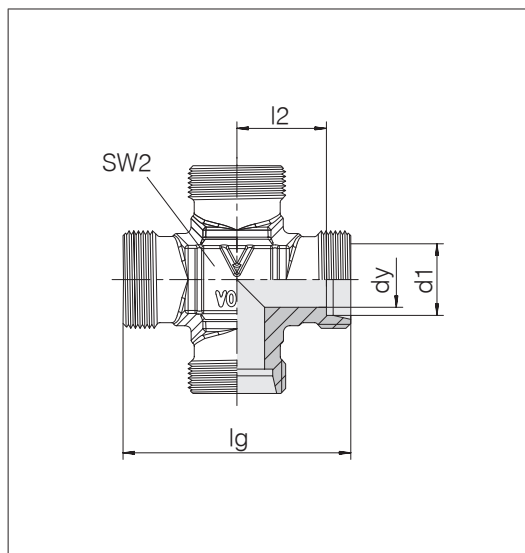


Union crosses

Tube coupling: 24° in acc. with ISO 8434-1



Series Tube OD d1	Pressure	dy	lg	l2	SW2	kg/100 ca.	Order-No.	Designation
LL 4	PN 100	3	30	11	12	2.1	0735002000	24-K-LL4
LL 6	PN 100	4.5	30	9.5	12	2.3	0735102000	24-K-LL6
LL 8	PN 100	6	34	11.5	12	2.7	0735152000	24-K-LL8
L 6	PN 315	4	38	12	12	3.9	0736002000	24-K-L6
L 8	PN 315	6	42	14	12	4.6	0736052000	24-K-L8
L 10	PN 315	8	44	15	14	5.2	0736102000	24-K-L10
L 12	PN 315	10	48	17	17	8.2	0736152000	24-K-L12
L 15	PN 315	12	56	21	19	12.7	0736202000	24-K-L15
L 18	PN 315	15	62	23.5	24	18.8	0736252000	24-K-L18
L 22	PN 160	19	70	27.5	27	21.0	0736302000	24-K-L22
L 28	PN 160	24	76	30.5	36	34.6	0736352000	24-K-L28
L 35	PN 160	30	90	34.5	41	62.3	0736402000	24-K-L35
L 42	PN 160	36	102	40	50	94.5	0736452000	24-K-L42
S 6	PN 630	4	46	16	12	6.6	0736502000	24-K-S6
S 8	PN 630	5	48	17	14	8.1	0736552000	24-K-S8
S 10	PN 630	7	50	17.5	17	10.7	0736602000	24-K-S10
S 12	PN 630	8	58	21.5	17	14.9	0736652000	24-K-S12
S 14	PN 630	10	60	22	19	15.8	0736702000	24-K-S14
S 16	PN 400	12	66	24.5	24	23.3	0736752000	24-K-S16
S 20	PN 400	16	74	26.5	27	29.4	0736802000	24-K-S20
S 25	PN 400	20	84	30	36	51.9	0736852000	24-K-S25
S 30	PN 400	25	98	35.5	41	89.0	0736902000	24-K-S30
S 38	PN 315	32	114	41	50	140.3	0736952000	24-K-S38

Example for comp. :
K06LX
ISO 8434-1-K-L6-St

