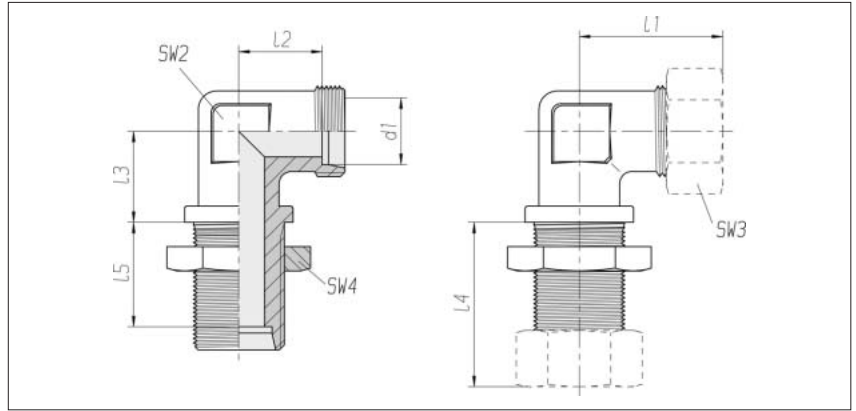


## Elbow bulkhead couplings



Series	Pressure	SW2	SW3	SW4	I1* approx.	I2	I3	I4* approx.	I5	kg/100 approx.	Order No. Single component	Order No. **
L 6	PN 315	12	14	17	27	12	14	42	27	4.9	0 1 38 00 20 66***	0 1 38 00 20 XX
L 8	PN 315	12	17	19	29	14	17	42	27	6.1	0 1 38 05 20 66	0 1 38 05 20 XX
L 10	PN 315	14	19	22	30	15	18	43	28	7.9	0 1 38 10 20 66	0 1 38 10 20 XX
L 12	PN 315	17	22	24	32	17	20	44	29	9.6	0 1 38 15 20 66	0 1 38 15 20 XX
L 15	PN 315	19	27	30	36	21	23	46	31	16.9	0 1 38 20 20 66	0 1 38 20 20 XX
L 18	PN 315	24	32	36	40	23.5	24	49	32.5	25.5	0 1 38 25 20 66	0 1 38 25 20 XX
L 22	PN 160	27	36	41	44	27.5	30	51	34.5	31.8	0 1 38 30 20 66	0 1 38 30 20 XX
L 28	PN 160	36	41	46	47	30.5	34	52	35.5	46.2	0 1 38 35 20 66	0 1 38 35 20 XX
L 35	PN 160	41	50	55	56	34.5	39	58	36.5	76.9	0 1 38 40 20 66	0 1 38 40 20 XX
L 42	PN 160	50	60	65	63	40	43	59	36	112.3	0 1 38 45 20 66	0 1 38 45 20 XX
S 6	PN 630	12	17	19	31	16	17	44	29	7.6	0 1 38 50 20 66	0 1 38 50 20 XX
S 8	PN 630	14	19	22	32	17	18	44	29	10.2	0 1 38 55 20 66	0 1 38 55 20 XX
S 10	PN 630	17	22	24	34	17.5	20	46	29.5	12.4	0 1 38 60 20 66	0 1 38 60 20 XX
S 12	PN 630	17	24	27	38	21.5	21	47	30.5	16.0	0 1 38 65 20 66	0 1 38 65 20 XX
S 14	PN 630	19	27	30	40	22	23	50	32	19.6	0 1 38 70 20 66	0 1 38 70 20 XX
S 16	PN 400	24	30	32	43	24.5	24	50	31.5	23.8	0 1 38 75 20 66	0 1 38 75 20 XX
S 20	PN 400	27	36	41	48	26.5	30	55	33.5	39.9	0 1 38 80 20 66	0 1 38 80 20 XX
S 25	PN 400	36	46	46	54	30	34	59	35	60.9	0 1 38 85 20 66	0 1 38 85 20 XX
S 30	PN 400	41	50	50	62	35.5	39	64	37.5	93.2	0 1 38 90 20 66	0 1 38 90 20 XX
S 38	PN 315	50	60	65	72	41	43	68	37	144.9	0 1 38 95 20 66	0 1 38 95 20 XX

Supplementary to Order No. for complete fitting tube connection	Supplementary to Order No.
2S	07
ES-4	09
BV-10	Refer to the front page

Max. bulkhead wall thickness 16 mm

\* Apply to complete fittings with 2S or ES-4 tube connection components.  
For BV-10 Refer to the front page.

\*\* With union nut and 2S, ES-4 or BV-10 tube connection components

\*\*\* Sample product code, see: WSV06LOMD ISO 8434-1-BHELN-L6-St