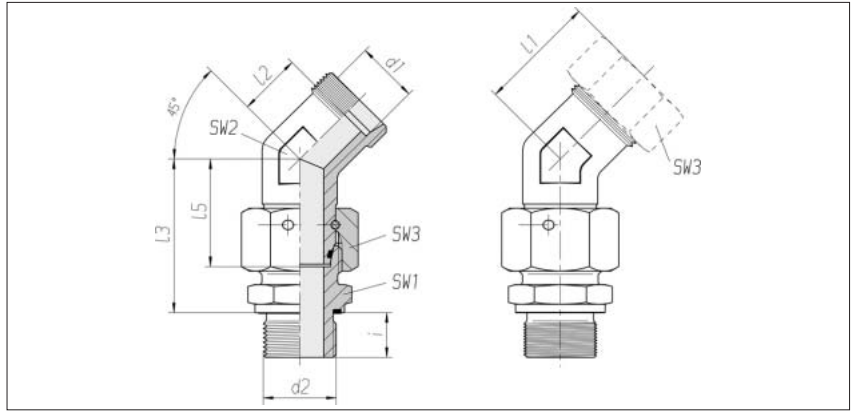


Adjustable 45° stud elbows

With taper and O-ring
Cutting ring connection
at tube end

Thread:
Whitworth pipe thread,
straight

Sealed with PEFLEX seal



Series	Pressure	d2		SW1	SW2	SW3	l1*	l2	l3	l5	i	kg/100	Order No.	Order No.
Tube OD							approx.					approx.	Single component	**
d1														
L 6	PN 315	G 1/8 A	14	19	14	29	14	34.5	26	8	***	1 1 72 01 20 00****	1 1 72 00 20 XX	
L 8	PN 315	G 1/4 A	19	19	17	30	15	37.5	27.5	12	***	1 1 72 06 20 00	1 1 72 05 20 XX	
L 10	PN 315	G 1/4 A	19	19	19	31	16	40	29	12	***	1 1 72 11 20 00	1 1 72 10 20 XX	
L 12	PN 315	G 3/8 A	22	19	22	32	17	42	29.5	12	***	1 1 72 16 20 00	1 1 72 15 20 XX	
L 15	PN 315	G 1/2 A	27	19	27	32	17	46	32.5	14	***	1 1 72 21 20 00	1 1 72 20 20 XX	
L 18	PN 315	G 1/2 A	27	24	32	35.5	19	50	35.5	14	***	1 1 72 26 20 00	1 1 72 25 20 XX	
L 22	PN 160	G 3/4 A	32	27	36	39	22.5	55	38.5	16	***	1 1 72 31 20 00	1 1 72 30 20 XX	
L 28	PN 160	G 1 A	41	36	41	41	24.5	59	41.5	18	***	1 1 72 36 20 00	1 1 72 35 20 XX	
L 35	PN 160	G 1 1/4 A	50	41	50	48.5	27	68.5	51	20	***	1 1 72 41 20 00	1 1 72 40 20 XX	
L 42	PN 160	G 1 1/2 A	55	50	60	49	26	75	56	22	***	1 1 72 46 20 00	1 1 72 45 20 XX	
S 6	PN 630	G 1/4 A	19	19	17	31	16	40	27	12	***	1 1 72 51 20 00	1 1 72 50 20 XX	
S 8	PN 630	G 1/4 A	19	19	19	31	16	42.5	27.5	12	***	1 1 72 56 20 00	1 1 72 55 20 XX	
S 10	PN 630	G 3/8 A	22	19	22	33	16.5	45	30	12	***	1 1 72 61 20 00	1 1 72 60 20 XX	
S 12	PN 630	G 3/8 A	24	19	24	33.5	17	48	31	12	***	1 1 72 66 20 00	1 1 72 65 20 XX	
S 14	PN 630	G 1/2 A	27	19	27	35	17	54	35	14	***	1 1 72 71 20 00	1 1 72 70 20 XX	
S 16	PN 400	G 1/2 A	27	24	30	37.5	19	55	36.5	14	***	1 1 72 76 20 00	1 1 72 75 20 XX	
S 20	PN 400	G 3/4 A	32	27	36	43	21.5	65	44.5	16	***	1 1 72 81 20 00	1 1 72 80 20 XX	
S 25	PN 400	G 1 A	41	36	46	47	23	73	50	18	***	1 1 72 86 20 00	1 1 72 85 20 XX	
S 30	PN 400	G 1 1/4 A	50	41	50	50.5	24	78.5	55	20	***	1 1 72 91 20 00	1 1 72 90 20 XX	
S 38	PN 315	G 1 1/2 A	55	50	60	52	21	89	63	22	***	1 1 72 96 20 00	1 1 72 95 20 XX	

Supplementary to Order No. for complete fitting
tube connection

Supplementary to Order No.
2S 07
ES-4 09
BV-10 Refer to the front page

* Apply to complete fittings with
2S or ES-4 tube connection
components.
For BV-10 Refer to the front page.

** With union nut and 2S, ES-4
or BV-10 tube connection
components

*** On request

**** Sample product code, see:
EV06LREDOMD