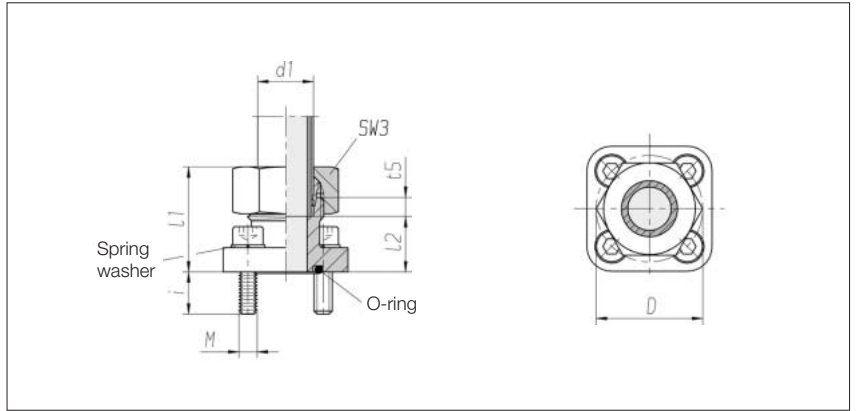


Straight flange couplings

With cutting-ring and square flange connection



Series	PB	Hole circle dia. D	SW3	l1 approx.	l2	t5	i	4 x cheese head screw DIN 912-8.8	O-ring	Nm* kg/100 approx.	Order No. complete	Order No. **
L 10	315	35	19	38	23	7	12.5	M 6 x 22	20 x 2.5	10	13.4	0 1 95 36 20 81*** 0 1 95 36 20 07
L 12	315	35	22	38	23	7	12.5	M 6 x 22	20 x 2.5	10	12.7	0 1 95 37 20 81 0 1 95 37 20 07
L 15	250	35	27	38	23	7	12.5	M 6 x 22	20 x 2.5	10	13.1	0 1 95 38 20 81 0 1 95 38 20 07
L 15	100	40	27	43	28	7	12.5	M 6 x 22	26 x 2.5	10	15.8	0 1 95 39 20 81 0 1 95 39 20 07
L 18	100	40	32	44	27.5	7.5	12.5	M 6 x 22	26 x 2.5	10	16.3	0 1 95 40 20 81 0 1 95 40 20 07
L 22	100	40	36	44	27.5	7.5	12.5	M 6 x 22	26 x 2.5	10	15.6	0 1 95 41 20 81 0 1 95 41 20 07
L 28	100	40	41	51	34.5	7.5	12.5	M 6 x 22	26 x 2.5	10	19.4	0 1 95 14 20 81 0 1 95 14 20 07
L 28	100	55	41	49	32.5	7.5	11.5	M 8 x 25	32 x 2.5	25	38.4	0 1 95 90 20 81 0 1 95 90 20 07
S 16	315	35	30	40	21.5	8.5	12.5	M 6 x 22	20 x 2.5	10	12.8	0 1 95 10 20 81 0 1 95 10 20 07

* Nm = Recommended tightening torques for cheese head screws M 6 with friction value μ total 0,14

** With union nut and 2S cutting ring

*** Sample product code, see: BFG10L/LK35