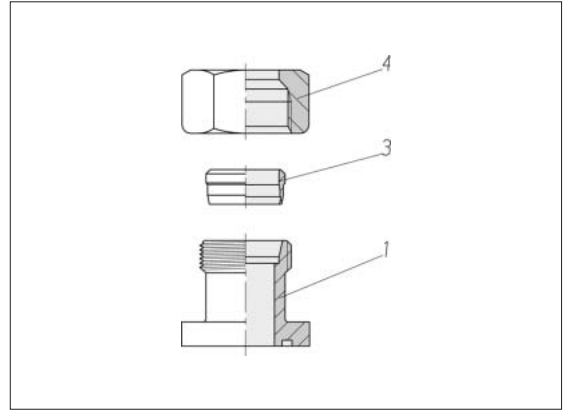


## Racores de brida rectos Piezas sueltas

con conexión por brida  
de anillo de corte y cuadrada



| Serie Tubo-ØEx | PB  | Orificio Circulo Ø | kg/100 aprox. | Referencia Pieza 1 | Referencia Pieza 3 | Referencia Pieza 4 |
|----------------|-----|--------------------|---------------|--------------------|--------------------|--------------------|
| L 10           | 315 | 35                 | 9,5           | 0 7 95 36 20 00*   | 0 0 10 10 20 00    | 0 0 04 10 21 00    |
| L 12           | 315 | 35                 | 9,7           | 0 7 95 37 20 00    | 0 0 10 15 20 00    | 0 0 04 15 21 00    |
| L 15           | 250 | 35                 | 10,2          | 0 7 95 38 20 00    | 0 0 10 20 20 00    | 0 0 04 20 21 00    |
| L 15           | 100 | 40                 | 12,4          | 0 7 95 39 20 00    | 0 0 10 20 20 00    | 0 0 04 20 21 00    |
| L 18           | 100 | 40                 | 12,2          | 0 7 95 40 20 00    | 0 0 10 25 20 00    | 0 0 04 25 21 00    |
| L 22           | 100 | 40                 | 12,3          | 0 7 95 41 20 00    | 0 0 10 30 20 00    | 0 0 04 30 21 00    |
| L 28           | 100 | 40                 | 15,9          | 0 7 95 14 20 00    | 0 0 10 35 20 00    | 0 0 04 35 21 00    |
| L 28           | 100 | 55                 | 30,4          | 0 7 95 90 20 00    | 0 0 10 35 20 00    | 0 0 04 35 21 00    |
| S 16           | 315 | 35                 | 16,4          | 0 7 95 10 20 00    | 0 0 10 75 20 00    | 0 0 04 75 21 00    |

\* Ejemplo Ref. Comp.:  
BFG10L/LK35OMD