

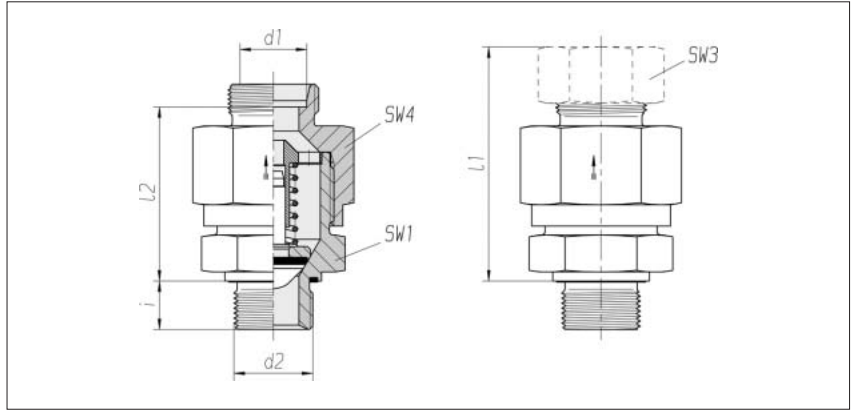
## Non-return valves

Flow direction from threaded stud

Thread:  
Whitworth pipe thread,  
straight

Sealed with PEFLEX seal

Opening pressure 1 bar  
(standard design)



Series	Pressure*	d2	SW1	SW3	SW4	l1**	l2	i	Nm	kg/100	Order No.	Order No.
Tube OD						approx.			-10 %	approx.	Single component	***
d1												
L 6	PB 250	G 1/8 A	17	14	17	43.5	29	8	20	5.7	0 6 02 30 20 81****	0 6 02 30 20 XX
L 8	PB 250	G 1/4 A	19	17	19	45	30	12	50	6.2	0 6 02 31 20 81	0 6 02 31 20 XX
L 10	PB 250	G 1/4 A	22	19	24	55.5	40.5	12	50	10.6	0 6 02 32 20 81	0 6 02 32 20 XX
L 12	PB 250	G 3/8 A	27	22	30	57	42.5	12	80	17.2	0 6 02 33 20 81	0 6 02 33 20 XX
L 15	PB 250	G 1/2 A	30	27	32	60.5	45.5	14	100	21.9	0 6 02 34 20 81	0 6 02 34 20 XX
L 18	PB 160	G 1/2 A	36	32	36	67.5	51	14	100	30.1	0 6 02 35 20 81	0 6 02 35 20 XX
L 22	PB 160	G 3/4 A	41	36	46	73	56.5	16	180	48.8	0 6 02 36 20 81	0 6 02 36 20 XX
L 28	PB 100	G 1 A	50	41	55	83	66.5	18	230	81.0	0 6 02 37 20 81	0 6 02 37 20 XX
L 35	PB 100	G 1 1/4 A	60	50	65	93.5	72	20	330	126.6	0 6 02 38 20 81	0 6 02 38 20 XX
L 42	PB 100	G 1 1/2 A	65	60	75	99.5	76.5	22	500	170.1	0 6 02 39 20 81	0 6 02 39 20 XX
S 6	PB 630	G 1/4 A	19	17	19	46.5	31.5	12	60	7.0	0 6 02 40 20 81	0 6 02 40 20 XX
S 8	PB 630	G 1/4 A	19	19	19	46.5	31.5	12	60	6.8	0 6 02 41 20 81	0 6 02 41 20 XX
S 10	PB 630	G 3/8 A	22	22	24	54	38	12	90	12.0	0 6 02 42 20 81	0 6 02 42 20 XX
S 12	PB 630	G 3/8 A	24	24	27	57	41	12	90	14.9	0 6 02 43 20 81	0 6 02 43 20 XX
S 14	PB 630	G 1/2 A	27	27	32	62.5	44.5	14	150	22.2	0 6 02 44 20 81	0 6 02 44 20 XX
S 16	PB 400	G 1/2 A	32	30	36	66.5	48	14	150	28.1	0 6 02 45 20 81	0 6 02 45 20 XX
S 20	PB 400	G 3/4 A	41	36	46	73.5	52	16	200	50.2	0 6 02 46 20 81	0 6 02 46 20 XX
S 25	PB 400	G 1 A	46	46	50	81.5	57.5	18	250	65.7	0 6 02 47 20 81	0 6 02 47 20 XX
S 30	PB 250	G 1 1/4 A	55	50	60	90.5	64	20	500	108.2	0 6 02 48 20 81	0 6 02 48 20 XX
S 38	PB 250	G 1 1/2 A	65	60	70	102.5	71.5	22	600	162.1	0 6 02 49 20 81	0 6 02 49 20 XX

Supplementary to Order No. for complete fitting	
tube connection	Supplementary to Order No.
2S	07
ES-4	09
BV-10	Refer to the front page

\* Test pressure PP = 1.5 x table value

\*\* Apply to complete fittings with 2S or ES-4 tube connection components.  
For BV-10 Refer to the front page.

\*\*\* With union nut and 2S, ES-4 or BV-10 tube connection components

\*\*\*\* Sample product code, see: RHW06LREDOMD