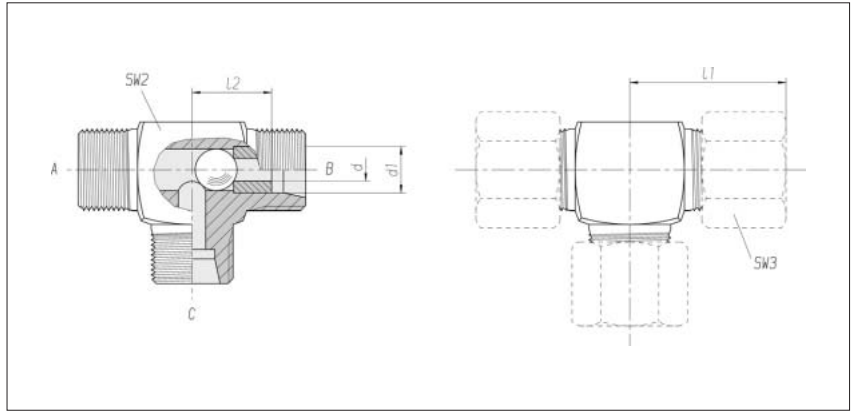
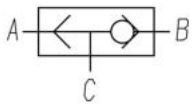


Shuttle valves

Ball seat

Tube installation



Series	Pressure	d	SW2	SW3	l1 approx.	l2	kg/100 approx.	Order No. Single component	Order No. **
L 8	PB 250	4.5	14	17	29	14	5.7	5 6 90 99 22 81*	5 6 90 99 22 07
L 10	PB 250	6	17	19	30	15	7.4	5 6 90 99 82 81	5 6 90 99 82 07
L 12	PB 250	7.5	19	22	32	17	10.8	5 6 90 99 70 81	5 6 90 99 70 07
L 15	PB 250	10	19	27	36	21	12.4	5 6 90 99 62 81	5 6 90 99 62 07
S 6	PB 630	3	14	17	31	16	6.9	5 6 90 99 32 81	5 6 90 99 32 07
S 8	PB 630	4.5	17	19	32	17	9.5	5 6 90 99 92 81	5 6 90 99 92 07
S 10	PB 630	6	19	22	34	17.5	12.4	5 6 90 99 02 81	5 6 90 99 02 07
S 12	PB 630	7.5	22	24	38	21.5	17.7	5 6 90 99 52 81	5 6 90 99 52 07
S 16	PB 400	10	24	30	43	24.5	18.8	5 6 90 99 42 81	5 6 90 99 42 07

* Sample product code, see:
WV08LOMD

** With union nut and 2S cutting ring