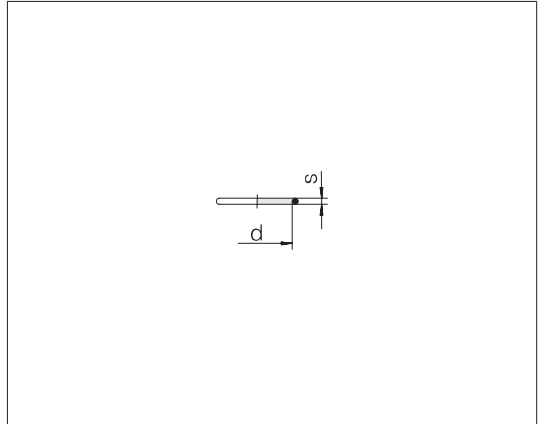


## 用于法兰接头的密封圈

○形密封圈的标准材料是丁腈橡胶(NBR)



管外径系列	螺栓孔圈直径	法兰尺寸	d x s	订货号	名称
L 10	35		20 x 2,5	0906599990	GP-OR-20x2,5-NBR90
L 12	35		20 x 2,5	0906599990	GP-OR-20x2,5-NBR90
L 15	35		20 x 2,5	0906599990	GP-OR-20x2,5-NBR90
L 15	40		26 x 2,5	0900189990	GP-OR-26x2,5-NBR90
L 18	40		26 x 2,5	0900189990	GP-OR-26x2,5-NBR90
L 18		3/4	24,99 x 3,53	0906719990	GP-OR-24,99x3,53-NBR90
L 22	40		26 x 2,5	0900189990	GP-OR-26x2,5-NBR90
L 22		3/4	24,99 x 3,53	0906719990	GP-OR-24,99x3,53-NBR90
L 28		1	32,92 x 3,53	0906729990	GP-OR-32,92x3,53-NBR90
L 28	40		26 x 2,5	0900189990	GP-OR-26x2,5-NBR90
L 28	55		32 x 2,5	0900929990	GP-OR-32x2,5-NBR90
L 35		1 1/4	37,69 x 3,53	0906739990	GP-OR-37,69x3,53-NBR90
L 35	55		32 x 2,5	0900929990	GP-OR-32x2,5-NBR90
L 42		1 1/2	47,22 x 3,53	0906549990	GP-OR-47,22x3,53-NBR90
S 12	35		20 x 2,5	0906599990	GP-OR-20x2,5-NBR90
S 16	35		20 x 2,5	0906599990	GP-OR-20x2,5-NBR90
S 16		1/2	18,64 x 3,53	0906749990	GP-OR-18,64x3,53-NBR90
S 16		3/4	24,99 x 3,53	0906719990	GP-OR-24,99x3,53-NBR90
S 20		3/4	24,99 x 3,53	0906719990	GP-OR-24,99x3,53-NBR90
S 20	35		20 x 2,5	0906599990	GP-OR-20x2,5-NBR90
S 20	40		26 x 2,5	0900189990	GP-OR-26x2,5-NBR90
S 20	55		32 x 2,5	0900929990	GP-OR-32x2,5-NBR90
S 25		1 1/4	37,69 x 3,53	0906739990	GP-OR-37,69x3,53-NBR90
S 25	55		32 x 2,5	0900929990	GP-OR-32x2,5-NBR90
S 25		3/4	24,99 x 3,53	0906719990	GP-OR-24,99x3,53-NBR90
S 30	55		32 x 2,5	0900929990	GP-OR-32x2,5-NBR90
S 30		1	32,92 x 3,53	0906729990	GP-OR-32,92x3,53-NBR90
S 30		1 1/4	37,69 x 3,53	0906739990	GP-OR-37,69x3,53-NBR90
S 38		1 1/2	47,22 x 3,53	0906549990	GP-OR-47,22x3,53-NBR90
S 38		1 1/4	37,69 x 3,53	0906739990	GP-OR-37,69x3,53-NBR90