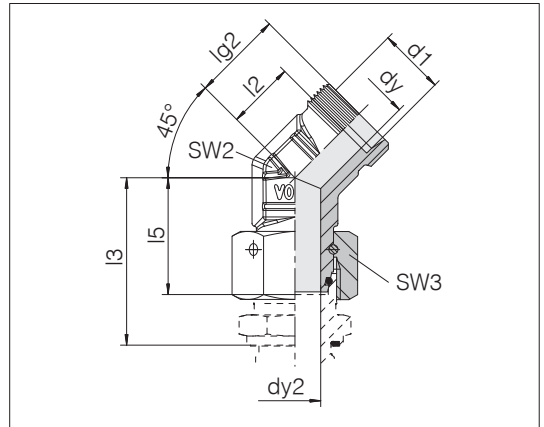


# Swivel 45° elbows

With taper and O-ring

Standard material of O-rings is FKM

Tube coupling: 24° in acc. with ISO 8434-1



Series	Pressure	dy	dy2	lg2	l2	l3	l5	SW2	SW3	kg/100 ca.	Order-No.	Designation
L 6	PN 315	4	2.5	21	14	34.5	26	19	14	6.9	1170032058	24-SWOE45-L6
L 8	PN 315	6	4	22	15	37.5	27.5	19	17	7.0	1170082058	24-SWOE45-L8
L 10	PN 315	8	6	23	16	40	29	19	19	7.8	1170132058	24-SWOE45-L10
L 12	PN 315	10	8	24	17	42	29.5	19	22	8.6	1170182058	24-SWOE45-L12
L 15	PN 315	12	10	24	17	46	32.5	19	27	12.6	1170232058	24-SWOE45-L15
L 18	PN 315	15	13	26.5	19	50	35.5	24	32	17.8	1170282058	24-SWOE45-L18
L 22	PN 160	19	17	30	22.5	55	38.5	27	36	23.6	1170332058	24-SWOE45-L22
L 28	PN 160	24	22	32	24.5	59	41.5	36	41	33.6	1170382058	24-SWOE45-L28
L 35	PN 160	30	28	37.5	27	68.5	51	41	50	54.6	1170432058	24-SWOE45-L35
L 42	PN 160	36	34	38	27	75	56	50	60	83.6	1170482058	24-SWOE45-L42
S 6	PN 630	4	2.5	23	16	40	27	19	17	7.3	1170532058	24-SWOE45-S6
S 8	PN 630	5	4	23	16	42.5	27.5	19	19	8.2	1170582058	24-SWOE45-S8
S 10	PN 630	7	6	24	16.5	45	30	19	22	9.5	1170632058	24-SWOE45-S10
S 12	PN 630	8	8	24.5	17	48	31	19	24	11.2	1170682058	24-SWOE45-S12
S 14	PN 630	10	9	25	17	54	35	19	27	13.6	1170732058	24-SWOE45-S14
S 16	PN 400	12	11	27.5	19	55	36.5	24	30	18.8	1170782058	24-SWOE45-S16
S 20	PN 400	16	14	32	21.5	65	44.5	27	36	28.6	1170832058	24-SWOE45-S20
S 25	PN 400	20	18	35	23	73	50	36	46	52.3	1170882058	24-SWOE45-S25
S 30	PN 400	25	23	37.5	24	78.5	55	41	50	69.7	1170932058	24-SWOE45-S30
S 38	PN 315	32	30	44	28	89	63	50	60	106.8	1170982058	24-SWOE45-S38

Example for comp. :  
EV06LVITOMD  
ISO 8434-1-SWOE45-L6-St

