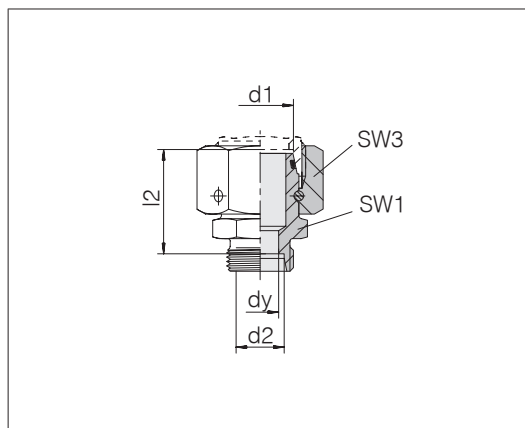


Tube end reducers

With taper and O-ring
fit in bore type W DIN 3861/ISO 8434-1

Standard material of O-rings is FKM

Tube coupling: 24° in acc. with ISO 8434-1



Series Tube OD d1	Series Tube OD d2	Pressure	dy	l2	SW1	SW3	kg/100 ca.	Order-No.	Designation
L 8	L 6	PN 500	4	23.5	12	17	2.9	1181002058	24-SWOS-L8-L6
L 10	L 6	PN 500	4	25	14	19	3.8	1181012058	24-SWOS-L10-L6
L 10	L 8	PN 500	6	25	14	19	3.8	1181022058	24-SWOS-L10-L8
L 10	S 8	PN 500	5	28	17	19	4.9	1181962058	24-SWOS-L10-S8
L 12	L 6	PN 400	4	25	17	22	5.0	1181032058	24-SWOS-L12-L6
L 12	L 8	PN 400	6	25	17	22	5.1	1181042058	24-SWOS-L12-L8
L 12	L 10	PN 400	8	26	17	22	5.2	1181052058	24-SWOS-L12-L10
L 12	S 6	PN 400	4	28	17	22	5.6	1181952058	24-SWOS-L12-S6
L 12	S 8	PN 400	5	28	17	22	6.0	1181982058	24-SWOS-L12-S8
L 15	L 6	PN 400	4	28	19	27	8.7	1181062058	24-SWOS-L15-L6
L 15	L 8	PN 400	6	28	19	27	8.8	1181072058	24-SWOS-L15-L8
L 15	L 10	PN 400	8	29	19	27	8.9	1181082058	24-SWOS-L15-L10
L 15	L 12	PN 400	10	29	19	27	9.0	1181092058	24-SWOS-L15-L12
L 15	L 18	PN 400	10	31	27	27	11.8	1181942058	24-SWOS-L15-L18
L 15	S 8	PN 400	5	30	19	27	9.4	1181992058	24-SWOS-L15-S8
L 18	L 6	PN 400	4	28	24	32	11.1	1181102058	24-SWOS-L18-L6
L 18	L 8	PN 400	6	28	24	32	11.1	1181112058	24-SWOS-L18-L8
L 18	L 10	PN 400	8	29	24	32	11.2	1181122058	24-SWOS-L18-L10
L 18	L 12	PN 400	10	29	24	32	11.3	1181132058	24-SWOS-L18-L12
L 18	L 15	PN 400	12	30	24	32	11.8	1181142058	24-SWOS-L18-L15
L 18	S 8	PN 400	5	30	24	32	11.6	1181972058	24-SWOS-L18-S8
L 22	L 6	PN 250	4	32	27	36	15.4	1181152058	24-SWOS-L22-L6
L 22	L 8	PN 250	6	32	27	36	15.5	1181162058	24-SWOS-L22-L8
L 22	L 10	PN 250	8	33	27	36	15.7	1181172058	24-SWOS-L22-L10
L 22	L 12	PN 250	10	33	27	36	16.1	1181182058	24-SWOS-L22-L12
L 22	L 15	PN 250	12	34	27	36	16.2	1181192058	24-SWOS-L22-L15
L 22	L 18	PN 250	15	33.5	27	36	16.6	1181202058	24-SWOS-L22-L18
L 28	L 8	PN 250	6	34	32	41	20.1	1181222058	24-SWOS-L28-L8
L 28	L 10	PN 250	8	35	32	41	20.1	1181232058	24-SWOS-L28-L10
L 28	L 12	PN 250	10	35	32	41	20.1	1181242058	24-SWOS-L28-L12
L 28	L 15	PN 250	12	36	32	41	20.6	1181252058	24-SWOS-L28-L15

Example for comp. :
RED08/06LOMDVIT

Continued on following page

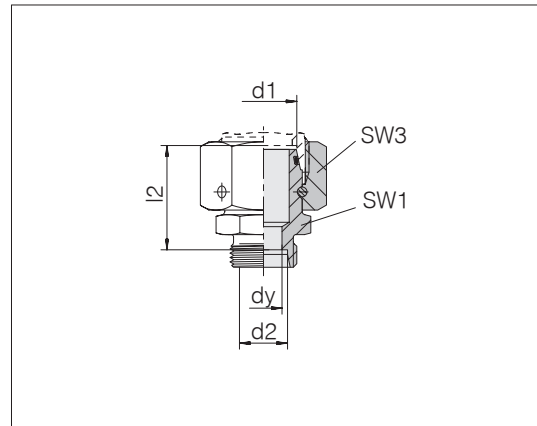


Tube end reducers

With taper and O-ring
fit in bore type W DIN 3861/ISO 8434-1

Standard material of O-rings is FKM

Tube coupling: 24° in acc. with ISO 8434-1



3

Series Tube OD d1	Series Tube OD d2	Pressure	dy	l2	SW1	SW3	kg/100 ca.	Order-No.	Designation
L 28	L 18	PN 250	15	35.5	32	41	21.0	1181262058	24-SWOS-L28-L18
L 28	L 22	PN 250	19	37.5	32	41	21.0	1181272058	24-SWOS-L28-L22
L 28	S 16	PN 250	12	36.5	32	41	21.5	1181922058	24-SWOS-L28-S16
L 28	S 20	PN 250	16	36.5	32	41	23.2	1181912058	24-SWOS-L28-S20
L 35	L 6	PN 250	4	37	41	50	31.9	1181282058	24-SWOS-L35-L6
L 35	L 8	PN 250	6	37	41	50	30.6	1181292058	24-SWOS-L35-L8
L 35	L 10	PN 250	8	38	41	50	32.3	1181302058	24-SWOS-L35-L10
L 35	L 12	PN 250	10	38	41	50	31.3	1181312058	24-SWOS-L35-L12
L 35	L 15	PN 250	12	39	41	50	31.6	1181322058	24-SWOS-L35-L15
L 35	L 18	PN 250	15	38.5	41	50	31.9	1181332058	24-SWOS-L35-L18
L 35	L 22	PN 250	19	40.5	41	50	32.1	1181342058	24-SWOS-L35-L22
L 35	L 28	PN 250	24	40.5	41	50	32.3	1181352058	24-SWOS-L35-L28
L 42	L 6	PN 250	4	40.5	50	60	52.5	1181812058	24-SWOS-L42-L6
L 42	L 8	PN 250	6	40.5	50	60	51.9	1181362058	24-SWOS-L42-L8
L 42	L 10	PN 250	8	41.5	50	60	52.8	1181372058	24-SWOS-L42-L10
L 42	L 12	PN 250	10	41.5	50	60	51.8	1181382058	24-SWOS-L42-L12
L 42	L 15	PN 250	12	42.5	50	60	53.4	1181392058	24-SWOS-L42-L15
L 42	L 18	PN 250	15	42	50	60	52.7	1181412058	24-SWOS-L42-L18
L 42	L 22	PN 250	19	44	50	60	51.5	1181422058	24-SWOS-L42-L22
L 42	L 28	PN 250	24	44	50	60	51.5	1181432058	24-SWOS-L42-L28
L 42	L 35	PN 250	30	43	50	60	53.1	1181442058	24-SWOS-L42-L35

Continued on following page

