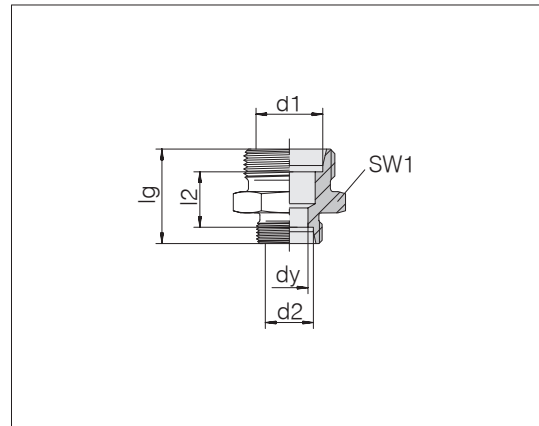


Straight reducers

Tube coupling: 24° in acc. with ISO 8434-1



3

Series Tube OD d1	Series Tube OD d2	Pressure	dy	lg	l2	SW1	kg/100 ca.	Order-No.	Designation
LL 6	LL 4	PN 100	3	20	10.5	11	0.7	0711122000	24-S-LL6-LL4
LL 8	LL 4	PN 100	3	22	12.5	12	0.9	0711182000	24-S-LL8-LL4
LL 8	LL 6	PN 100	4.5	22	11	12	1.1	0711192000	24-S-LL8-LL6
L 8	L 6	PN 500	4	25	11	14	1.5	0712062000	24-S-L8-L6
L 10	L 6	PN 500	4	26	12	17	2.0	0712122000	24-S-L10-L6
L 10	L 8	PN 500	6	26	12	17	2.1	0712112000	24-S-L10-L8
L 12	L 6	PN 400	4	27	13	19	2.5	0712182000	24-S-L12-L6
L 12	L 8	PN 400	6	27	13	19	2.6	0712172000	24-S-L12-L8
L 12	L 10	PN 400	8	28	14	19	2.7	0712162000	24-S-L12-L10
L 15	L 6	PN 400	4	28	14	24	3.8	0712242000	24-S-L15-L6
L 15	L 8	PN 400	6	28	14	24	4.0	0712232000	24-S-L15-L8
L 15	L 10	PN 400	8	29	15	24	4.1	0712222000	24-S-L15-L10
L 15	L 12	PN 400	10	29	15	24	4.2	0712212000	24-S-L15-L12
L 18	L 8	PN 400	6	29	14.5	27	6.0	0712292000	24-S-L18-L8
L 18	L 10	PN 400	8	30	15.5	27	5.6	0712282000	24-S-L18-L10
L 18	L 12	PN 400	10	30	15.5	27	5.7	0712272000	24-S-L18-L12
L 18	L 15	PN 400	12	31	16.5	27	6.1	0712262000	24-S-L18-L15
L 22	L 10	PN 250	8	32	17.5	32	7.5	0712342000	24-S-L22-L10
L 22	L 12	PN 250	10	32	17.5	32	7.6	0712332000	24-S-L22-L12
L 22	L 15	PN 250	12	33	18.5	32	8.1	0712322000	24-S-L22-L15
L 22	L 18	PN 250	15	33	18	32	8.6	0712312000	24-S-L22-L18
L 28	L 10	PN 250	8	33	18.5	41	12.2	0711822000	24-S-L28-L10
L 28	L 15	PN 250	12	34	19.5	41	12.2	0712382000	24-S-L28-L15
L 28	L 18	PN 250	15	34	19	41	12.3	0712372000	24-S-L28-L18
L 28	L 22	PN 250	19	36	21	41	13.2	0712362000	24-S-L28-L22
L 35	L 22	PN 250	19	39	21	46	19.0	0712422000	24-S-L35-L22
L 35	L 28	PN 250	24	39	21	46	19.0	0712412000	24-S-L35-L28
L 42	L 28	PN 250	24	41	22.5	55	26.8	0712472000	24-S-L42-L28
L 42	L 35	PN 250	30	43	21.5	55	29.3	0712462000	24-S-L42-L35

Example for comp. :
GR08/06LX
ISO 8434-1-RDS-L8xL6-St

Continued on following page

