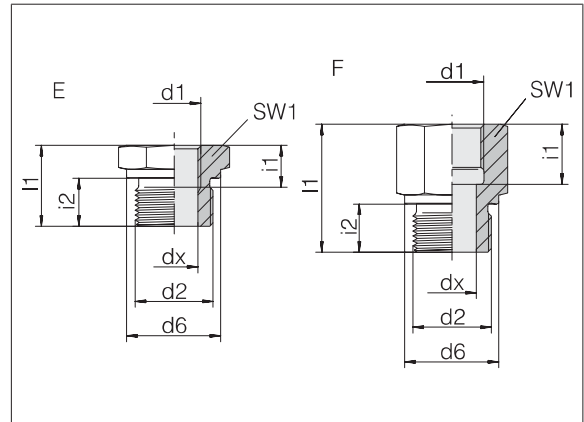


Thread reducing couplings

Both threads: Whitworth pipe thread, parallel

Sealing with seal edge



Male thread d2	Female thread d1	Pressure	d6	dx	l1	SW1	i1	i2	Form	Nm -10 %	kg/100 ca.	Order-No.	Designation
G 1/8 A	G 1/4	PB 630	14	4	31	19	17	8	F	25	3.7	0149012000	GP-SDS-G1/8B-IG1/4
G 1/8 A	G 3/8	PB 630	14	4	32	24	17	8	F	25	6.3	0149002000	GP-SDS-G1/8B-IG3/8
G 1/4 A	G 1/8	PB 630	18	7	28	19	12	12	F	60	4.0	0149052000	GP-SDS-G1/4B-IG1/8
G 1/4 A	G 3/8	PB 630	18	6	36	24	17	12	F	60	6.6	0149042000	GP-SDS-G1/4B-IG3/8
G 1/4 A	G 1/2	PB 630	18	5	40	27	20	12	F	60	8.6	0149032000	GP-SDS-G1/4B-IG1/2
G 1/4 A	G 3/4	PB 630	18	5	43	36	22	12	F	60	17.0	0149022000	GP-SDS-G1/4B-IG3/4
G 3/8 A	G 1/8	PB 400	22	8.5	22.5	22	8	12	E	110	3.9	0149092000	GP-SDS-G3/8B-IG1/8
G 3/8 A	G 1/4	PB 400	22	8	36	22	17	12	F	110	7.0	0149082000	GP-SDS-G3/8B-IG3/8
G 3/8 A	G 1/2	PB 400	22	8	41	27	20	12	F	110	9.6	0149072000	GP-SDS-G3/8B-IG1/2
G 3/8 A	G 3/4	PB 400	22	8	44	36	22	12	F	110	17.7	0149062000	GP-SDS-G3/8B-IG3/4
G 1/2 A	G 1/8	PB 400	26	8.5	24	27	8	14	E	200	6.6	0149152000	GP-SDS-G1/2B-IG1/8
G 1/2 A	G 1/4	PB 400	26	11.5	24	27	12	14	E	200	5.5	0149142000	GP-SDS-G1/2B-IG1/4
G 1/2 A	G 3/8	PB 400	26	12	36	27	17	14	F	200	9.1	0149132000	GP-SDS-G1/2B-IG3/8
G 1/2 A	G 3/4	PB 400	26	12	46	36	22	14	F	200	18.2	0149122000	GP-SDS-G1/2B-IG3/4
G 1/2 A	G 1	PB 400	26	12	49	41	24.5	14	F	200	22.1	0149112000	GP-SDS-G1/2B-IG1
G 1/2 A	G 1 1/4	PB 250	26	10	53	55	26.5	14	F	200	48.0	0149102000	GP-SDS-G1/2B-IG11/4
G 3/4 A	G 1/4	PB 400	32	11.5	26	32	12	16	E	320	10.2	0149212000	GP-SDS-G3/4B-IG1/4
G 3/4 A	G 3/8	PB 400	32	15	26	32	12	16	E	320	8.7	0149202000	GP-SDS-G3/4B-IG3/8
G 3/4 A	G 1/2	PB 400	32	16	41	32	20	16	F	320	14.4	0149192000	GP-SDS-G3/4B-IG1/2
G 3/4 A	G 1	PB 400	32	16	51	41	24.5	16	F	320	23.7	0149182000	GP-SDS-G3/4B-IG1
G 3/4 A	G 1 1/4	PB 250	32	16	55	55	26.5	16	F	320	48.7	0149172000	GP-SDS-G3/4B-IG11/4
G 3/4 A	G 1 1/2	PB 250	32	16	57	60	28.5	16	F	320	56.5	0149162000	GP-SDS-G3/4B-IG11/2
G 1 A	G 1/4	PB 400	39	11.5	29	41	12	18	E	500	19.5	0149272000	GP-SDS-G1B-IG1/4
G 1 A	G 3/8	PB 400	39	15	29	41	12	18	E	500	17.9	0149262000	GP-SDS-G1B-IG3/8
G 1 A	G 1/2	PB 400	39	19	29	41	14	18	E	500	15.4	0149252000	GP-SDS-G1B-IG1/2
G 1 A	G 3/4	PB 400	39	20	47	41	22	18	F	500	27.3	0149242000	GP-SDS-G1B-IG3/4
G 1 A	G 1 1/4	PB 250	39	20	57	55	26.5	18	F	500	50.9	0149232000	GP-SDS-G1B-IG11/4
G 1 A	G 1 1/2	PB 250	39	20	59	60	28.5	18	F	500	58.6	0149222000	GP-SDS-G1B-IG11/2

Thread reducing adapters with metric threads available upon request. Example for comp.: RH1/8X1/4X

Continued on following page