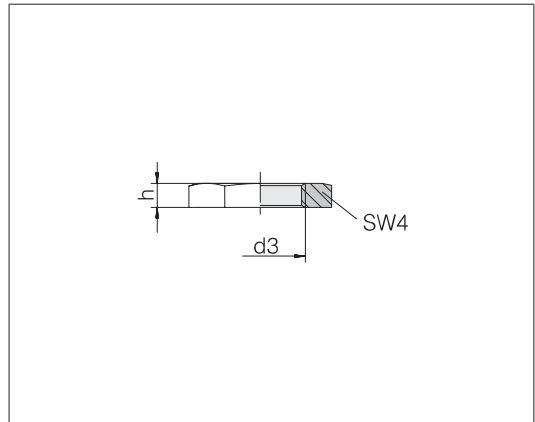


Hexagonal nuts

For bulkhead couplings



d3	SW4	h	kg/100 ca.	Order-No.	Designation
M 12 x 1.5	17	6	0.7	0081002100	24-LN-L6-M12
M 14 x 1.5	19	6	0.8	0081022100	24-LN-L8-S6-M14
M 16 x 1.5	22	6	1.0	0081042100	24-LN-L10-S8-M16
M 18 x 1.5	24	6	1.2	0081062100	24-LN-L12-S10-M18
M 20 x 1.5	27	6	1.5	0081082100	24-LN-S12-M20
M 22 x 1.5	30	7	2.2	0081102100	24-LN-L15-S14-M22
M 24 x 1.5	32	7	2.4	0081122100	24-LN-S16-M24
M 26 x 1.5	36	8	3.8	0081142100	24-LN-L18-M26
M 30 x 2	41	8	4.9	0081162100	24-LN-L22-S20-M30
M 36 x 2	46	9	5.9	0081182100	24-LN-L28-S25-M36
M 42 x 2	50	9	5.8	0081202100	24-LN-S30-M42
M 45 x 2	55	9	7.5	0081222100	24-LN-L35-M45
M 52 x 2	65	10	12.1	0081262100	24-LN-L42-S38-M52

Example for comp. :
GM06LX
ISO 8434-1-LN-L6-St