

Male stud branch tees

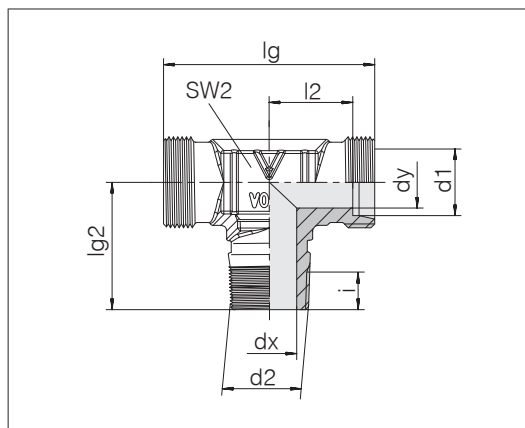
Male thread: Metric fine thread, tapered

Threaded stud: DIN 3852-1 Form C

Sealing type: Tapered thread

Sealing material: e.g. PTFE sealing tape

Tube coupling: 24° in acc. with ISO 8434-1



Series	d2	Pressure	dx	dy	lg	lg2	l2	SW2	i	kg/100 ca.	Order-No.	Designation	
LL	4	M 8 x 1 keg	PN 100	3.5	3	30	17	11	9	6	1.2	0727002000	24-SDT-LL4-M8T
LL	6	M 10 x 1 keg	PN 100	4.5	4.5	30	17	9.5	9	6	1.2	0727102000	24-SDT-LL6-M10T
LL	8	M 10 x 1 keg	PN 100	6	6	34	20	11.5	12	6	2.8	0727152000	24-SDT-LL8-M10T-P
L	6	M 10 x 1 keg	PN 315	4	4	38	20	12	12	6	3.6	0728002000	24-SDT-L6-M10T-P
L	8	M 12 x 1.5 keg	PN 315	6	6	42	26	14	12	9	4.3	0728052000	24-SDT-L8-M12T
L	10	M 14 x 1.5 keg	PN 315	7	8	44	27	15	17	9	7.2	0728102000	24-SDT-L10-M14T-P
L	12	M 16 x 1.5 keg	PN 315	9	10	48	28	17	19	9	9.8	0728152000	24-SDT-L12-M16T-P
L	15	M 18 x 1.5 keg	PN 315	11	12	56	32	21	19	12	10.2	0728202000	24-SDT-L15-M18T
L	18	M 22 x 1.5 keg	PN 315	14	15	62	36	23.5	24	11	14.1	0728252000	24-SDT-L18-M22T
S	6	M 12 x 1.5 keg	PB 630	4	4	46	26	16	14	9	6.6	0728502000	24-SDT-S6-M12T-P
S	8	M 14 x 1.5 keg	PB 630	5	5	48	27	17	17	9	9.2	0728552000	24-SDT-S8-M14T-P
S	10	M 16 x 1.5 keg	PB 630	7	7	50	28	17.5	19	9	12.1	0728602000	24-SDT-S10-M16T-P
S	12	M 18 x 1.5 keg	PB 630	8	8	58	28	21.5	17	12.5	12.0	0728652000	24-SDT-S12-M18T
S	14	M 20 x 1.5 keg	PB 630	10	10	60	32	22	19	14	13.2	0728702000	24-SDT-S14-M20T
S	16	M 22 x 1.5 keg	PB 400	12	12	66	32	24.5	24	14	16.1	0728752000	24-SDT-S16-M22T

Operating pressure PB 630 only applies if holes with female conical threads are available.

Threaded stud in acc. with DIN 3852-1 Form C are approved for use for gas supply in accordance with DIN 3387-1.

Example for comp. : TE06LMX DIN 2353-ML6-St

