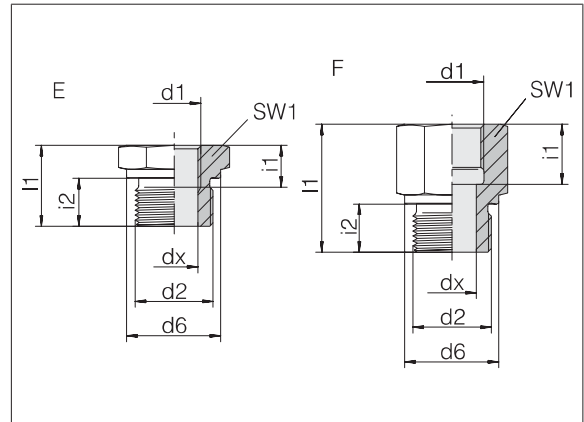


Riduzioni filettate

Entrambe le filettature: Whitworth, cilindriche

Tenuta con spigolo incidente



Filettatura esterna d2	Filettatura interna d1	Pressione	d6	dx	l1	SW1	i1	i2	Forma	Nm -10 %	kg/100 ca.	N. d'ordine	Denominazione
G 1/8 A	G 1/4	PB 630	14	4	31	19	17	8	F	25	3,7	0149012000	GP-SDS-G1/8B-IG1/4
G 1/8 A	G 3/8	PB 630	14	4	32	24	17	8	F	25	6,3	0149002000	GP-SDS-G1/8B-IG3/8
G 1/4 A	G 1/8	PB 630	18	7	28	19	12	12	F	60	4,0	0149052000	GP-SDS-G1/4B-IG1/8
G 1/4 A	G 3/8	PB 630	18	6	36	24	17	12	F	60	6,6	0149042000	GP-SDS-G1/4B-IG3/8
G 1/4 A	G 1/2	PB 630	18	5	40	27	20	12	F	60	8,6	0149032000	GP-SDS-G1/4B-IG1/2
G 1/4 A	G 3/4	PB 630	18	5	43	36	22	12	F	60	17,0	0149022000	GP-SDS-G1/4B-IG3/4
G 3/8 A	G 1/8	PB 400	22	8,5	22,5	22	8	12	E	110	3,9	0149092000	GP-SDS-G3/8B-IG1/8
G 3/8 A	G 1/4	PB 400	22	8	36	22	17	12	F	110	7,0	0149082000	GP-SDS-G3/8B-IG1/4
G 3/8 A	G 1/2	PB 400	22	8	41	27	20	12	F	110	9,6	0149072000	GP-SDS-G3/8B-IG1/2
G 3/8 A	G 3/4	PB 400	22	8	44	36	22	12	F	110	17,7	0149062000	GP-SDS-G3/8B-IG3/4
G 1/2 A	G 1/8	PB 400	26	8,5	24	27	8	14	E	200	6,6	0149152000	GP-SDS-G1/2B-IG1/8
G 1/2 A	G 1/4	PB 400	26	11,5	24	27	12	14	E	200	5,5	0149142000	GP-SDS-G1/2B-IG1/4
G 1/2 A	G 3/8	PB 400	26	12	36	27	17	14	F	200	9,1	0149132000	GP-SDS-G1/2B-IG3/8
G 1/2 A	G 3/4	PB 400	26	12	46	36	22	14	F	200	18,2	0149122000	GP-SDS-G1/2B-IG3/4
G 1/2 A	G 1	PB 400	26	12	49	41	24,5	14	F	200	22,1	0149112000	GP-SDS-G1/2B-IG1
G 1/2 A	G 1 1/4	PB 250	26	10	53	55	26,5	14	F	200	48,0	0149102000	GP-SDS-G1/2B-IG11/4
G 3/4 A	G 1/4	PB 400	32	11,5	26	32	12	16	E	320	10,2	0149212000	GP-SDS-G3/4B-IG1/4
G 3/4 A	G 3/8	PB 400	32	15	26	32	12	16	E	320	8,7	0149202000	GP-SDS-G3/4B-IG3/8
G 3/4 A	G 1/2	PB 400	32	16	41	32	20	16	F	320	14,4	0149192000	GP-SDS-G3/4B-IG1/2
G 3/4 A	G 1	PB 400	32	16	51	41	24,5	16	F	320	23,7	0149182000	GP-SDS-G3/4B-IG1
G 3/4 A	G 1 1/4	PB 250	32	16	55	55	26,5	16	F	320	48,7	0149172000	GP-SDS-G3/4B-IG11/4
G 3/4 A	G 1 1/2	PB 250	32	16	57	60	28,5	16	F	320	56,5	0149162000	GP-SDS-G3/4B-IG11/2
G 1 A	G 1/4	PB 400	39	11,5	29	41	12	18	E	500	19,5	0149272000	GP-SDS-G1B-IG1/4
G 1 A	G 3/8	PB 400	39	15	29	41	12	18	E	500	17,9	0149262000	GP-SDS-G1B-IG3/8
G 1 A	G 1/2	PB 400	39	19	29	41	14	18	E	500	15,4	0149252000	GP-SDS-G1B-IG1/2
G 1 A	G 3/4	PB 400	39	20	47	41	22	18	F	500	27,3	0149242000	GP-SDS-G1B-IG3/4
G 1 A	G 1 1/4	PB 250	39	20	57	55	26,5	18	F	500	50,9	0149232000	GP-SDS-G1B-IG11/4
G 1 A	G 1 1/2	PB 250	39	20	59	60	28,5	18	F	500	58,6	0149222000	GP-SDS-G1B-IG11/2

Raccordi di riduzione filettati con filettatura metrica su richiesta.

Esempio di confr.:
RI1/8X1/4X

Continua nella pagina seguente