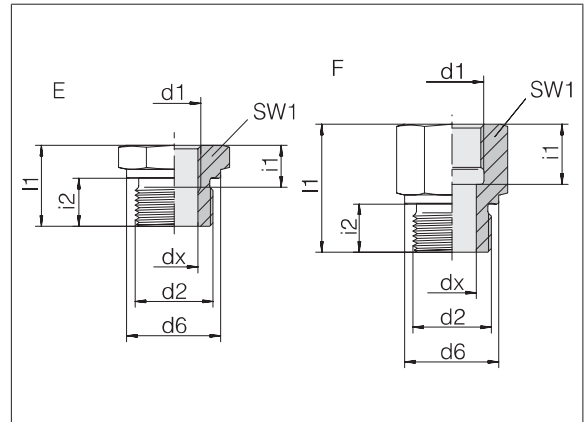


## Reducciones roscadas

Ambas roscas: rosca de tubos Whitworth, cilíndrica

Sellado por arista de obturación



| Rosca exterior d2 | Rosca interior d1 | Presión | d6 | dx   | l1   | SW1 | i1   | i2 | Forma | Nm -10 % | kg/100 aprox. | Referencia | Designación         |
|-------------------|-------------------|---------|----|------|------|-----|------|----|-------|----------|---------------|------------|---------------------|
| G 1/8 A           | G 1/4             | PB 630  | 14 | 4    | 31   | 19  | 17   | 8  | F     | 25       | 3,7           | 0149012000 | GP-SDS-G1/8B-IG1/4  |
| G 1/8 A           | G 3/8             | PB 630  | 14 | 4    | 32   | 24  | 17   | 8  | F     | 25       | 6,3           | 0149002000 | GP-SDS-G1/8B-IG3/8  |
| G 1/4 A           | G 1/8             | PB 630  | 18 | 7    | 28   | 19  | 12   | 12 | F     | 60       | 4,0           | 0149052000 | GP-SDS-G1/4B-IG1/8  |
| G 1/4 A           | G 3/8             | PB 630  | 18 | 6    | 36   | 24  | 17   | 12 | F     | 60       | 6,6           | 0149042000 | GP-SDS-G1/4B-IG3/8  |
| G 1/4 A           | G 1/2             | PB 630  | 18 | 5    | 40   | 27  | 20   | 12 | F     | 60       | 8,6           | 0149032000 | GP-SDS-G1/4B-IG1/2  |
| G 1/4 A           | G 3/4             | PB 630  | 18 | 5    | 43   | 36  | 22   | 12 | F     | 60       | 17,0          | 0149022000 | GP-SDS-G1/4B-IG3/4  |
| G 3/8 A           | G 1/8             | PB 400  | 22 | 8,5  | 22,5 | 22  | 8    | 12 | E     | 110      | 3,9           | 0149092000 | GP-SDS-G3/8B-IG1/8  |
| G 3/8 A           | G 1/4             | PB 400  | 22 | 8    | 36   | 22  | 17   | 12 | F     | 110      | 7,0           | 0149082000 | GP-SDS-G3/8B-IG1/4  |
| G 3/8 A           | G 1/2             | PB 400  | 22 | 8    | 41   | 27  | 20   | 12 | F     | 110      | 9,6           | 0149072000 | GP-SDS-G3/8B-IG1/2  |
| G 3/8 A           | G 3/4             | PB 400  | 22 | 8    | 44   | 36  | 22   | 12 | F     | 110      | 17,7          | 0149062000 | GP-SDS-G3/8B-IG3/4  |
| G 1/2 A           | G 1/8             | PB 400  | 26 | 8,5  | 24   | 27  | 8    | 14 | E     | 200      | 6,6           | 0149152000 | GP-SDS-G1/2B-IG1/8  |
| G 1/2 A           | G 1/4             | PB 400  | 26 | 11,5 | 24   | 27  | 12   | 14 | E     | 200      | 5,5           | 0149142000 | GP-SDS-G1/2B-IG1/4  |
| G 1/2 A           | G 3/8             | PB 400  | 26 | 12   | 36   | 27  | 17   | 14 | F     | 200      | 9,1           | 0149132000 | GP-SDS-G1/2B-IG3/8  |
| G 1/2 A           | G 3/4             | PB 400  | 26 | 12   | 46   | 36  | 22   | 14 | F     | 200      | 18,2          | 0149122000 | GP-SDS-G1/2B-IG3/4  |
| G 1/2 A           | G 1               | PB 400  | 26 | 12   | 49   | 41  | 24,5 | 14 | F     | 200      | 22,1          | 0149112000 | GP-SDS-G1/2B-IG1    |
| G 1/2 A           | G 1 1/4           | PB 250  | 26 | 10   | 53   | 55  | 26,5 | 14 | F     | 200      | 48,0          | 0149102000 | GP-SDS-G1/2B-IG11/4 |
| G 3/4 A           | G 1/4             | PB 400  | 32 | 11,5 | 26   | 32  | 12   | 16 | E     | 320      | 10,2          | 0149212000 | GP-SDS-G3/4B-IG1/4  |
| G 3/4 A           | G 3/8             | PB 400  | 32 | 15   | 26   | 32  | 12   | 16 | E     | 320      | 8,7           | 0149202000 | GP-SDS-G3/4B-IG3/8  |
| G 3/4 A           | G 1/2             | PB 400  | 32 | 16   | 41   | 32  | 20   | 16 | F     | 320      | 14,4          | 0149192000 | GP-SDS-G3/4B-IG1/2  |
| G 3/4 A           | G 1               | PB 400  | 32 | 16   | 51   | 41  | 24,5 | 16 | F     | 320      | 23,7          | 0149182000 | GP-SDS-G3/4B-IG1    |
| G 3/4 A           | G 1 1/4           | PB 250  | 32 | 16   | 55   | 55  | 26,5 | 16 | F     | 320      | 48,7          | 0149172000 | GP-SDS-G3/4B-IG11/4 |
| G 3/4 A           | G 1 1/2           | PB 250  | 32 | 16   | 57   | 60  | 28,5 | 16 | F     | 320      | 56,5          | 0149162000 | GP-SDS-G3/4B-IG11/2 |
| G 1 A             | G 1/4             | PB 400  | 39 | 11,5 | 29   | 41  | 12   | 18 | E     | 500      | 19,5          | 0149272000 | GP-SDS-G1B-IG1/4    |
| G 1 A             | G 3/8             | PB 400  | 39 | 15   | 29   | 41  | 12   | 18 | E     | 500      | 17,9          | 0149262000 | GP-SDS-G1B-IG3/8    |
| G 1 A             | G 1/2             | PB 400  | 39 | 19   | 29   | 41  | 14   | 18 | E     | 500      | 15,4          | 0149252000 | GP-SDS-G1B-IG1/2    |
| G 1 A             | G 3/4             | PB 400  | 39 | 20   | 47   | 41  | 22   | 18 | F     | 500      | 27,3          | 0149242000 | GP-SDS-G1B-IG3/4    |
| G 1 A             | G 1 1/4           | PB 250  | 39 | 20   | 57   | 55  | 26,5 | 18 | F     | 500      | 50,9          | 0149232000 | GP-SDS-G1B-IG11/4   |
| G 1 A             | G 1 1/2           | PB 250  | 39 | 20   | 59   | 60  | 28,5 | 18 | F     | 500      | 58,6          | 0149222000 | GP-SDS-G1B-IG11/2   |

Reducciones roscadas con rosca métrica mediante solicitud.

Ejemplo comparativo: RI1/8X1/4X

Continuación en la página siguiente