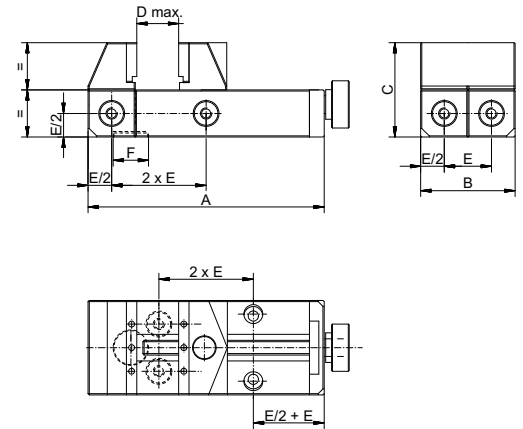


Parallel-vise

without pins

Nr	E (AF)	A	B	C	D	E	F	H	
81784	16	80	32	32	40	16	M12x0,5	14	135
81785	25	125	50	50	65	25	M24x1	14	750
81786	25	150	75	50	90	25	M24x1	15	905
81787	25	175	100	50	115	25	M24x1	15	1.410
81788	40	320	120	80	225	40	M32x1	17	4.620
81789	40	360	160	80	265	40	M32x1	17	6.150



Fixing Disks for connection are shown on page 153

Vise set

10-pcs., comprising of

Nr.	System	Vise	Flat jaw	Pins	V-jaw	V-jaw
		1x	Alu 2x	3x	small 2x	big 2x
81790	AF 16	81784	24580	24604	24586	24598
81791	AF 25	81785	24581	24605	24587	24599
81792	AF 25	81786	24582	24605	24588	24600
81793	AF 25	81787	24583	24605	24589	24601
81794	AF 40	81788	24584	24606	24590	24602
81795	AF 40	81789	24585	24606	24591	24603

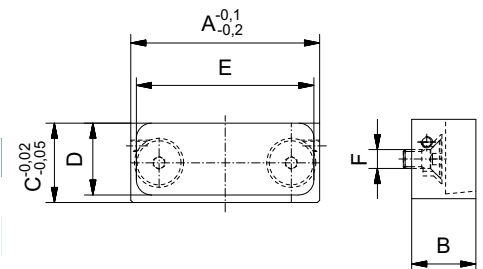


Jaws also available per piece
Flat and V jaws are also available in polymer (POM black)

Forming jaw

with bushes, for compound resin

Nr	System	A	B	C	D	E	F	
81831	AF 16	32	10	13,5	12	29	M3	10
81832	AF 25	50	17	21	19	47	M5	30
81833	AF 25	75	17	21	18,5	71	M5	40
81834	AF 25	100	17	21	18,5	96	M5	60
81835	AF 40	120	34	33,5	30	112	M8	170
81836	AF 40	160	34	33,5	30	152	M8	226



Supply includes:
1 forming jaw,
2 bushes,
2 Threaded pins,
2 countersunk screws

