

## Hook Clamp compact

Example dia 30

A	B	C	D	E	F	G	H	I	g
30	50	110	9	159	80	112	20	M8	1156

### 1 Hook Clamp Basic Unit

Compact

Nr.	for pin dia	g
281408	Ø15-Ø39	669
281411	Ø40-Ø60	700

### 2 Top pin

Compact / Compact mini

Nr.	pin dia	g
34389	Ø15,0-0,02mm	108
51512	Ø20,0-0,02mm	145
391436	Ø25,0-0,02mm	201
34388	Ø30,0-0,02mm	254
54120	Ø40,0-0,02mm	456

### 3 Support ring

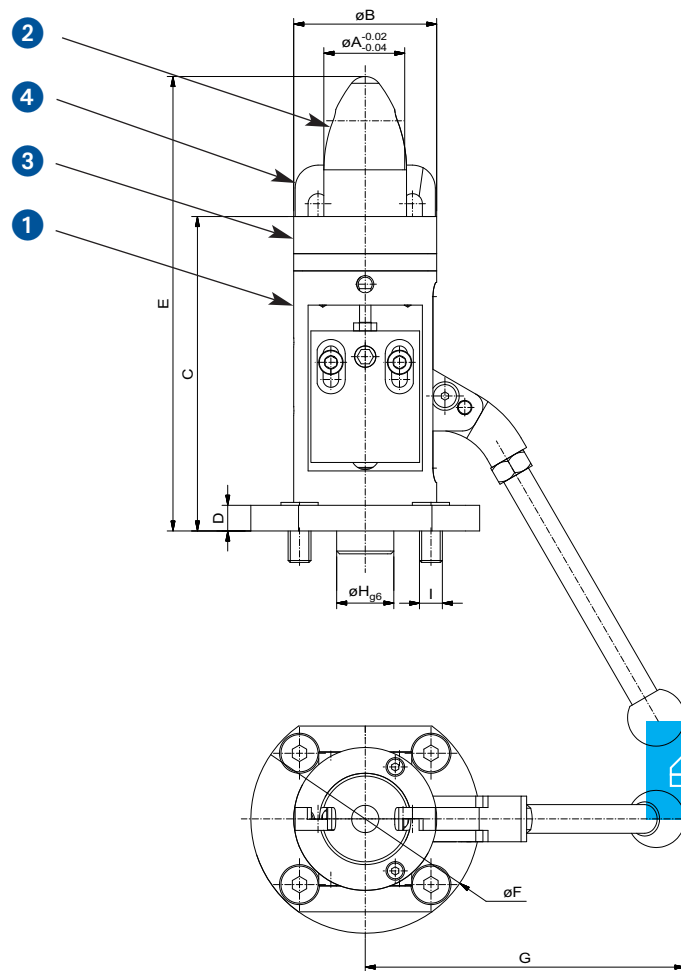
Compact / Compact mini

Nr.	surface dia	g
53384	Ø30mm	106
56036	Ø35mm	112
26589	Ø40mm	128
390548	Ø45mm	106
26592	Ø50mm	110
33020	Ø55mm	152
397265	Ø60mm	182

### 4 Hook

Compact

Nr.	clamping width	g
30759	30mm	80
394903	35mm	88
28399	40mm	94
30760	45mm	100
28400	50mm	122
33350	55mm	125
28401	60mm	128



**i** Internal excenter lever, top pin and support ring are 100% compatible (outer dimensions same as existing hook clamps). Sideways activation possible via hex key



**i** **ALUFIX CLASSIC** elements can be anodized in different colours. The colour natural is standard, black (-1) is available as an alternative. Other colours on request.

**i** Other dimensions on request