



V block 90°

standard version

Nr.	A(AF)	max. ϕ	\bar{g}
21991	16	45	51
21992	25	70	185
21272	40	113	189
28173	50	142	1.362



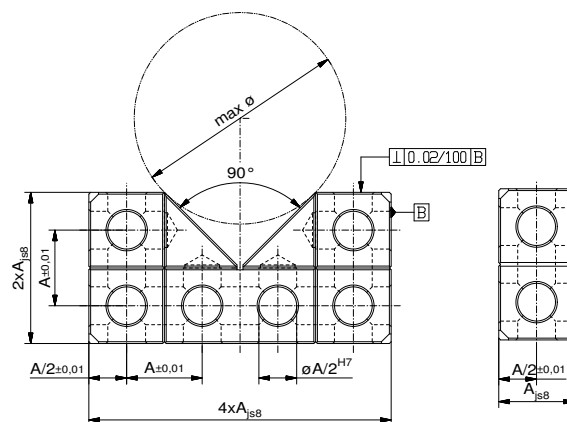
with hard metal surface

Nr.	A(AF)	max. ϕ	\bar{g}
80975	25	70	251
81511	40	113	1.115
82785	50	142	1.326



with magnetic surface

Nr.	A(AF)	max. ϕ	\bar{g}
81508	25	70	203
81513	40	113	1.115
82784	50	142	1.326



Surface of V blocks also available with polymer insert (POM, black) on request