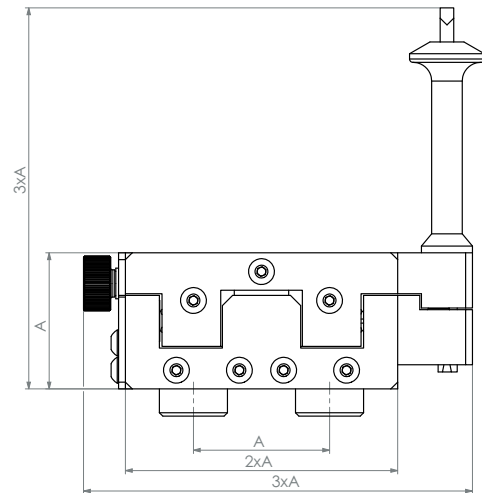


## Guiding slide

with slide stop, positioning guide and pin, locking clamp

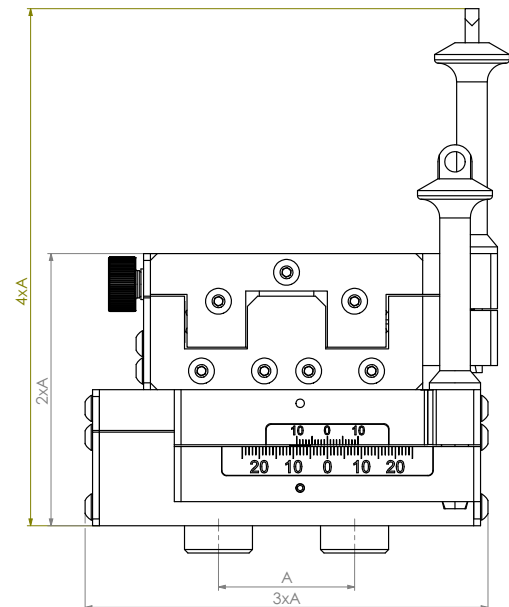
Nr.	A(AF)	shift	max. load	
82002-E	25	+/-13,5	50kg	250
82016-E	40	+/-22	150kg	1.024
82441-E	50	+/-27,5	250kg	6.000



## Cross guiding slide

with slide stop, positioning guide and pin, locking clamp

Nr.	A(AF)	shift	max. load	
82437-E	25	+/- 13,5	50kg	520
82438-E	40	+/- 22	150kg	2.100
82439-E	50	+/- 27,5	250kg	12.500



**ALUFIX ECO** elements can be anodized in different colours. The colour natural (-E) is standard, blue (-E2) is available as an alternative. Black (-E1) and other colours on request

Other dimensions on request