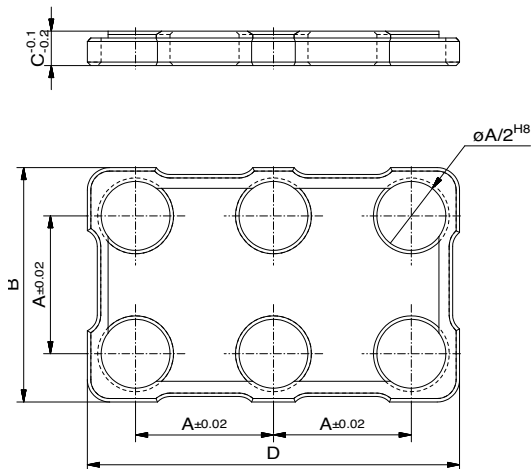
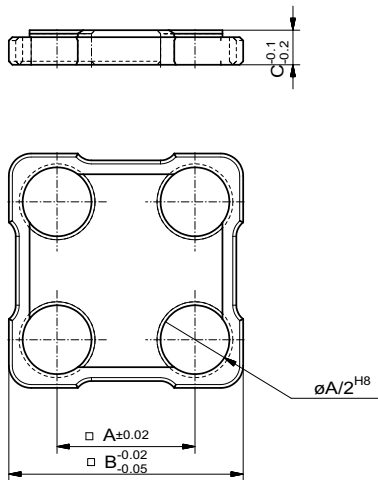


ALUFIX ECO Connection elements



Single couplings

for Light bars one row

| Nr. | System | A | B | C | ⊗ |
|---------|--------|----|----|------|----|
| 23315-E | AF 25 | 25 | 19 | 5 | 4 |
| 20794-E | AF 40 | 40 | 32 | 10 | 16 |
| 26930-E | AF 50 | 50 | 32 | 12,5 | 29 |

for Light bars rectangular 1x2

| Nr. | System | A | B | C | ⊗ |
|---------|--------|----|----|----|----|
| 55134-E | AF 25 | 25 | 17 | 5 | 10 |
| 57211-E | AF 40 | 20 | 32 | 10 | 50 |

for Light bars two row

| Nr. | System | A | B | C | ⊗ |
|---------|--------|----|----|------|-----|
| 23325-E | AF 25 | 25 | 42 | 6 | 26 |
| 20792-E | AF 40 | 40 | 68 | 10 | 120 |
| 26727-E | AF 50 | 50 | 84 | 12,5 | 228 |

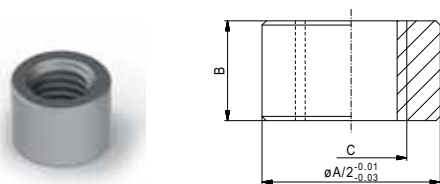
for Light bars three row

| Nr. | System | A | B | C | ⊗ |
|---------|--------|----|-----|------|-----|
| 23612-E | AF 25 | 25 | 67 | 6 | 79 |
| 23613-E | AF 40 | 40 | 108 | 10 | 333 |
| 26853-E | AF 50 | 50 | 134 | 12,5 | 670 |

for Light bars three row 2x3

| Nr. | System | A | B | C | D | ⊗ |
|----------|--------|----|----|----|-----|---|
| 122400-E | AF 40 | 40 | 68 | 10 | 108 | - |

Single couplings for face connections.



Plain sleeve, short

for angle brackets, page 200

| Nr. | AF | A | B | C | ⊗ |
|---------|----|------|-------|---------|----|
| 21386-E | 25 | 12,5 | 7 | M8 | 2 |
| 21278-E | 40 | 20 | 11 | M14x1,5 | 9 |
| 26733-E | 50 | 25 | 13,05 | M18x1,5 | 20 |