

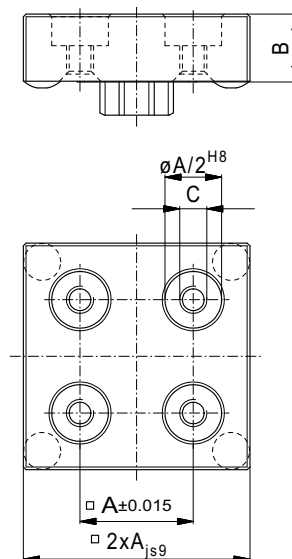
Quick change couplings (QCC)

only available as exchangeable top and bottom versions, for folding version see page 44



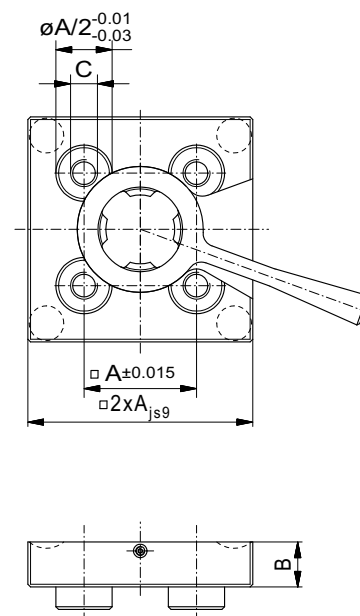
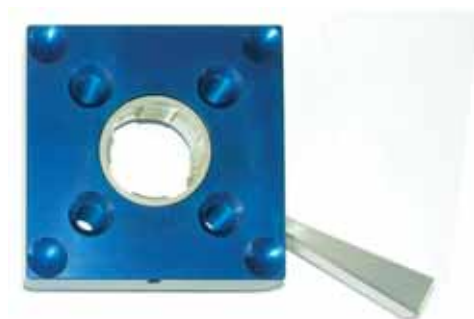
Quick change coupling top, complete

Nr.	A(AF)	B	C	
294321-E	25	15	M6	95
294322-E	40	24	M10	400
294323-E	50	30	M12	750



Quick change coupling base, complete

Nr.	A(AF)	B	C	
294324-E	25	15	M6	60
294325-E	40	24	M10	260
294326-E	50	30	M12	480



ALUFIX ECO elements can be anodized in different colours. The colour natural (-E) is standard, blue (-E2) is available as an alternative. Black (-E1) and other colours on request

