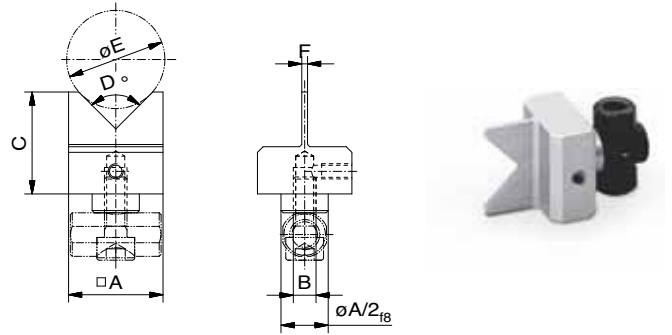


### V piece 90°

single

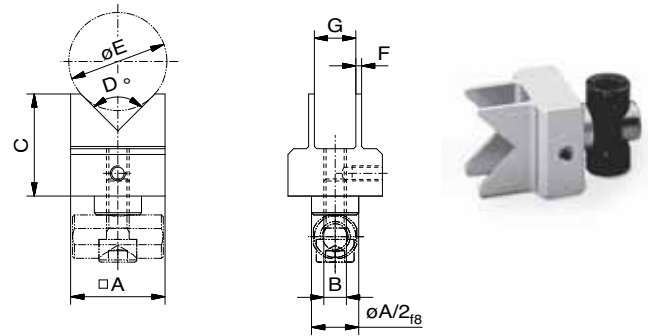
| Nr.   | A(AF) | B  | C    | D   | E        | F   |    |
|-------|-------|----|------|-----|----------|-----|----|
| 80923 | 16    | M4 | 17,5 | 90° | max.∅ 17 | 1   | 9  |
| 82230 | 25    | M6 | 27   | 90° | max.∅ 26 | 1,5 | 32 |



### V piece 90°

double, V narrow

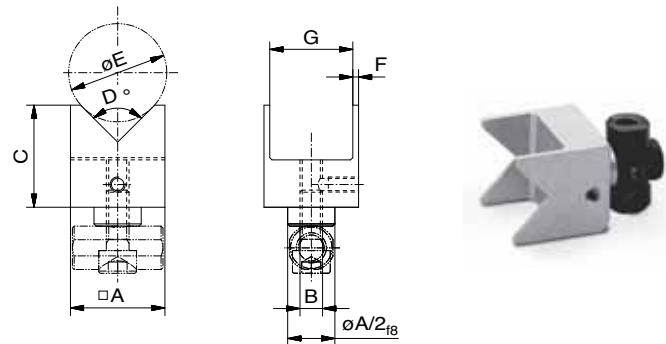
| Nr.   | A(AF) | B  | C    | D   | E        | F   | G  |    |
|-------|-------|----|------|-----|----------|-----|----|----|
| 80921 | 16    | M4 | 17,5 | 90° | max.∅ 17 | 1   | 7  | 10 |
| 82232 | 25    | M6 | 27   | 90° | max.∅ 26 | 1,5 | 11 | 35 |



### V piece 90°

double, V wide

| Nr.   | A(AF) | B  | C    | D   | E        | F   | G  |    |
|-------|-------|----|------|-----|----------|-----|----|----|
| 80922 | 16    | M4 | 17,5 | 90° | max.∅ 17 | 1   | 14 | 10 |
| 82231 | 25    | M6 | 27   | 90° | max.∅ 26 | 1,5 | 22 | 35 |



**ALUFIX CLASSIC** Alufix Classic elements can be anodized in different colours. The colour natural is standard, black (-1) is available as an alternative. Other colours on request.